

5-4-2010

Ceiling Fan Blade

Danny Parker
University of Central Florida

Bart Hibbs
AeroVironment, Inc.

Find similar works at: <https://stars.library.ucf.edu/patents>
University of Central Florida Libraries <http://library.ucf.edu>

This Patent is brought to you for free and open access by the Technology Transfer at STARS. It has been accepted for inclusion in UCF Patents by an authorized administrator of STARS. For more information, please contact STARS@ucf.edu.

Recommended Citation

Parker, Danny and Hibbs, Bart, "Ceiling Fan Blade" (2010). *UCF Patents*. 67.
<https://stars.library.ucf.edu/patents/67>



US00D615183S

(12) **United States Design Patent**
Parker et al.

(10) **Patent No.:** **US D615,183 S**

(45) **Date of Patent:** **** May 4, 2010**

(54) **CEILING FAN BLADE**

(57) **CLAIM**

(75) Inventors: **Danny S. Parker**, Cocoa Beach, FL (US); **Bart Hibbs**, Altadena, CA (US)

The ornamental design for a ceiling fan blade, as shown and described.

(73) Assignee: **University of Central Florida Research Foundation, Inc.**, Orlando, FL (US)

(**) Term: **14 Years**

(21) Appl. No.: **29/315,239**

(22) Filed: **Jun. 5, 2009**

Related U.S. Application Data

(62) Division of application No. 29/312,909, filed on Nov. 20, 2008, now Pat. No. Des. 597,198, which is a division of application No. 29/252,288, filed on Jan. 20, 2006, now Pat. No. Des. 594,551.

(51) **LOC (9) Cl.** **23-04**

(52) **U.S. Cl.** **D23/413**

(58) **Field of Classification Search** D23/377, D23/379, 385, 411, 413; 416/5

See application file for complete search history.

(56) **References Cited**

U.S. PATENT DOCUMENTS

1,455,591 A	4/1923	Lawson
1,757,292 A	5/1930	Caldwell
2,283,956 A	5/1942	Smith
4,892,460 A	1/1990	Volk
D330,077 S	10/1992	Davis
5,344,235 A	9/1994	Weetman et al.
D364,224 S	11/1995	Wang
D371,838 S	7/1996	Davis, Jr. et al.

(Continued)

Primary Examiner—Lisa P Lichtenstein

(74) *Attorney, Agent, or Firm*—Brian S. Steinberger; Law Office of Brian S. Steinberger, P.A.

DESCRIPTION

FIG. 1 is a perspective bottom rear right view of an efficient traditionally appearing ceiling fan blade with aerodynamically upper surface and flat wide tip end.

FIG. 2 is a perspective top tip right view of the novel blade of FIG. 1.

FIG. 3 is a bottom view of the novel blade of FIG. 1.

FIG. 4 is a top view of the novel blade of FIG. 1.

FIG. 5 is a right side view of the novel blade of FIG. 1.

FIG. 6 is a left side view of the novel blade of FIG. 1.

FIG. 7 is a tip end view of the novel blade of FIG. 1.

FIG. 8 is a rear end view of the novel blade of FIG. 1.

FIG. 9 is a bottom perspective view of a ceiling fan mounted with the novel blades of the preceding figures.

FIG. 10 is an upper perspective view of the ceiling fan with novel blades of FIG. 9.

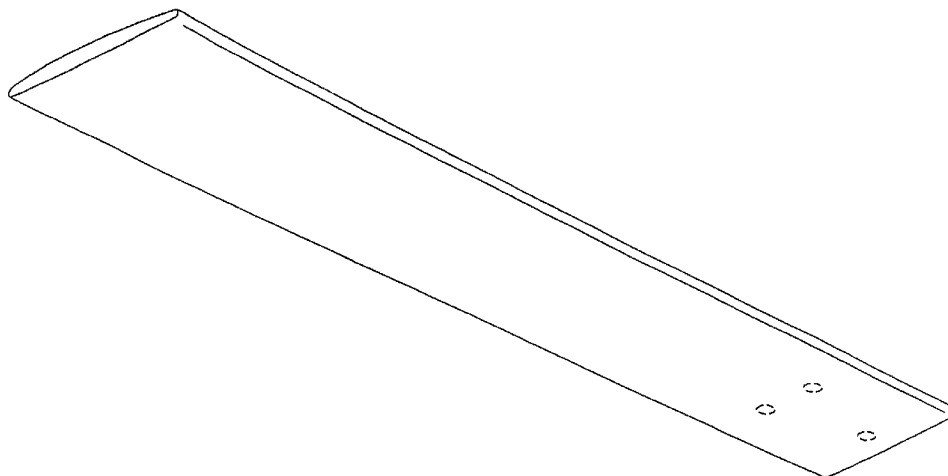
FIG. 11 is a side view of the ceiling fan with novel blades of FIG. 9.

FIG. 12 is a top view of the ceiling fan with novel blades of FIG. 9; and,

FIG. 13 is a bottom view of the ceiling fan with novel blades of FIG. 9.

The broken line showing of apertures and a ceiling fan is included for the purpose of illustrating environmental structure and forms no part of the claimed design.

1 Claim, 11 Drawing Sheets



US D615,183 S

Page 2

U.S. PATENT DOCUMENTS							
D378,404	S	3/1997	Jaspers-Fayer	D469,950	S	2/2003	Scalise et al.
5,681,145	A	10/1997	Neely et al.	D480,471	S	10/2003	Hsieh
D387,156	S	12/1997	Johnson	D480,473	S	10/2003	Thomas, Jr.
D402,026	S	12/1998	Chuang et al.	D484,233	S	12/2003	Bucher et al.
D408,518	S	4/1999	Liu	6,659,721	B1	12/2003	Parker et al.
D412,571	S	8/1999	Lee	D485,345	S	1/2004	Bucher
D414,856	S	10/1999	Zuege	D485,346	S	1/2004	Bucher et al.
D417,496	S	12/1999	Chang et al.	D485,347	S	1/2004	Bucher et al.
D421,799	S	3/2000	Zuege	D487,801	S	3/2004	Hsieh
D422,072	S	3/2000	Blateri	6,719,532	B2	4/2004	Bird
6,039,541	A	3/2000	Parker et al.	6,719,533	B2	4/2004	Bird
D434,845	S	12/2000	Gajewski	6,733,241	B2	5/2004	Bird
D443,352	S	6/2001	Lantz	D491,657	S	6/2004	Cartwright
D451,997	S	12/2001	Schwartz	6,884,034	B1	4/2005	Parker et al. 416/1
D453,566	S	2/2002	Lantz D23/413	6,890,155	B2	5/2005	Cartwright
D454,636	S	3/2002	Lantz	6,899,525	B2	5/2005	Vanmoor
6,428,277	B1	8/2002	Holmes	6,923,624	B2	8/2005	Tsai
6,494,589	B1	12/2002	Shyu	D510,992	S	10/2005	Bucher
				D527,097	S	8/2006	Ertze
				2004/0258530	A1	12/2004	Oono et al.

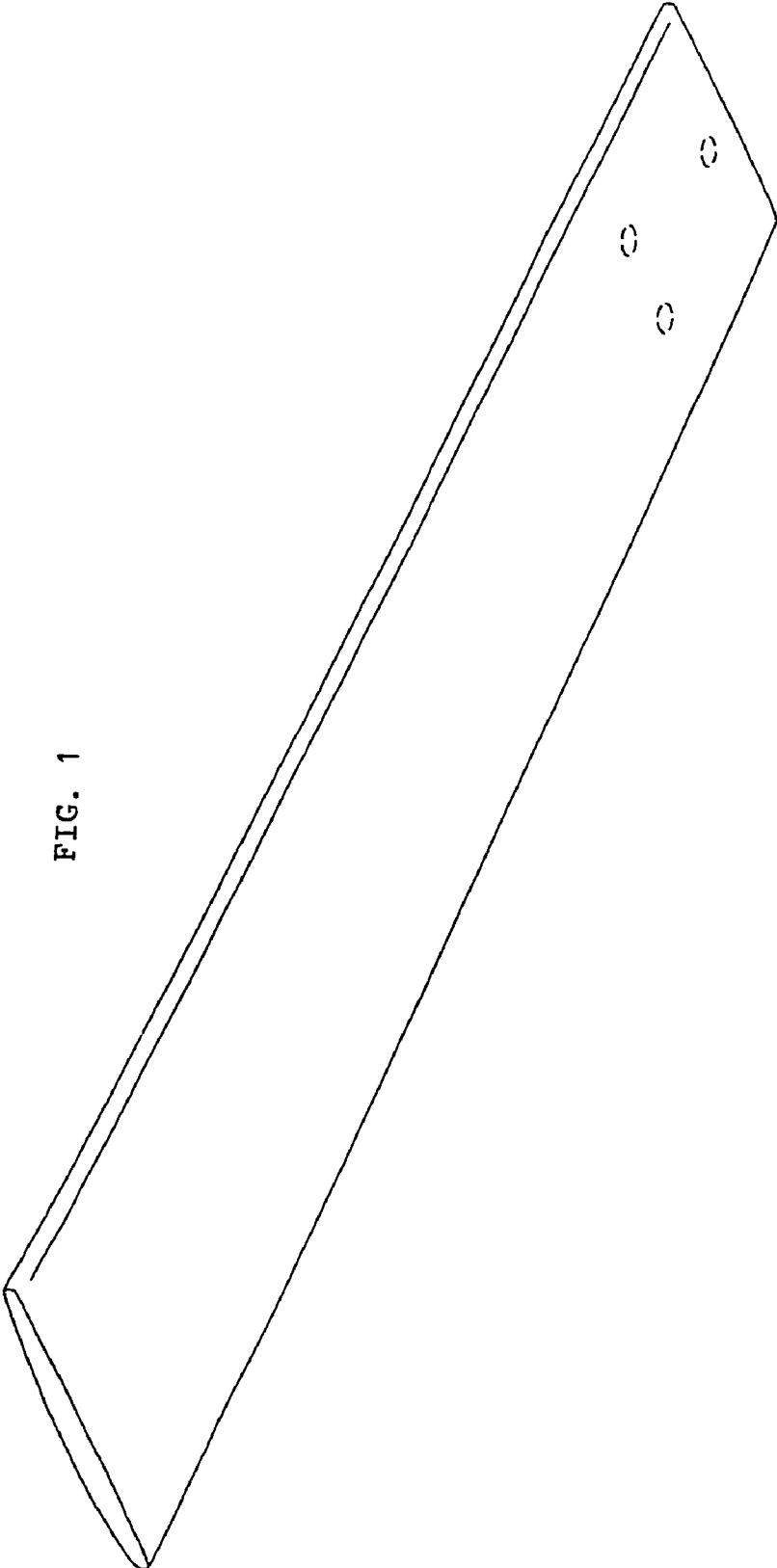


FIG. 1

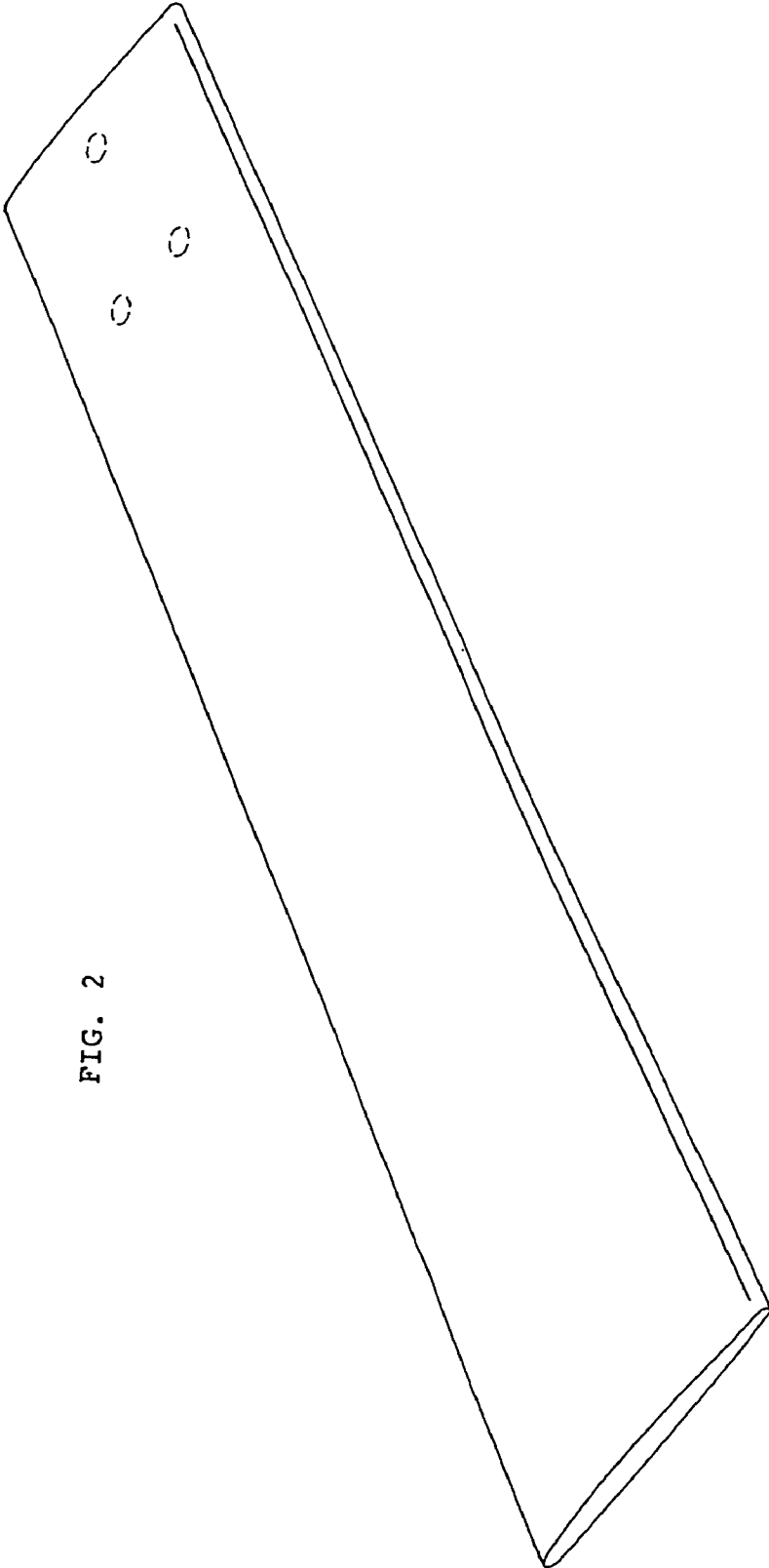


FIG. 2

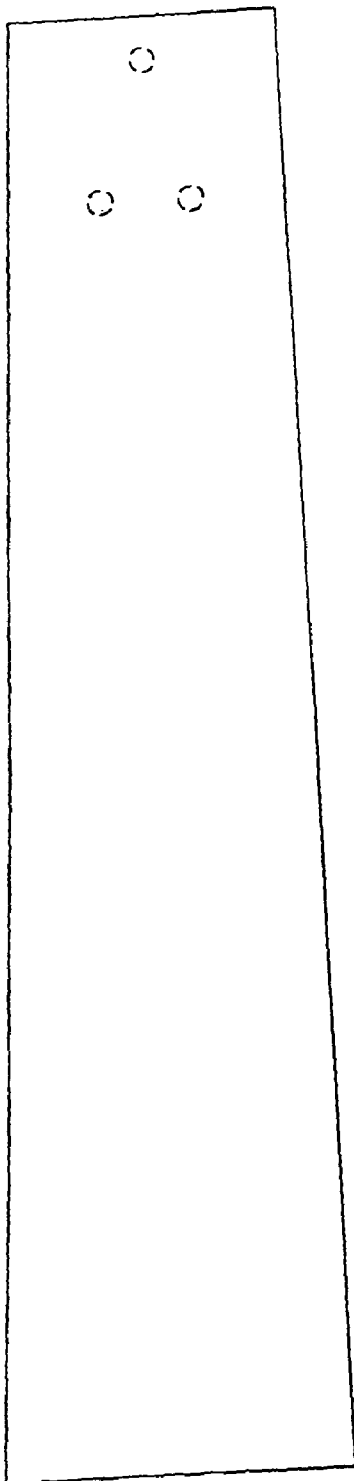


FIG. 3

FIG. 4

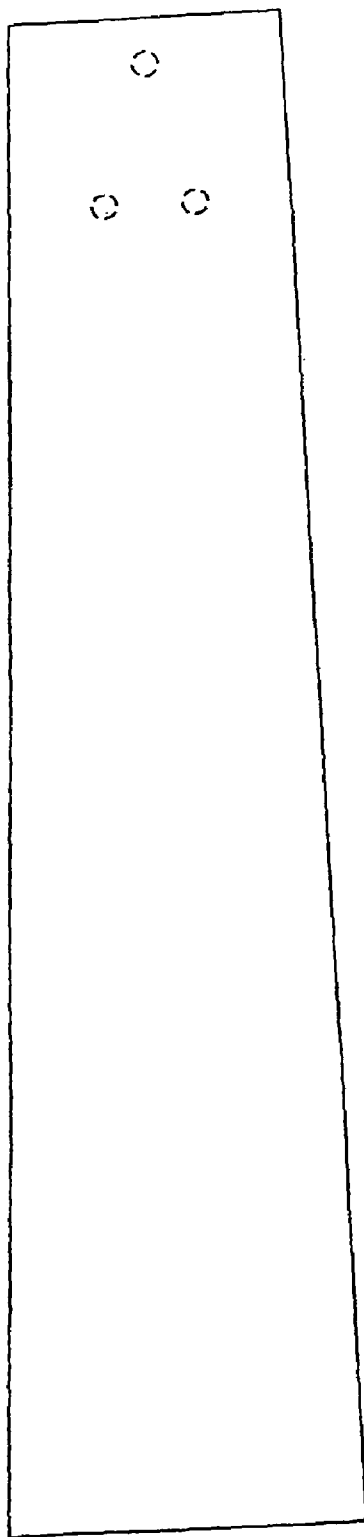




FIG. 6



FIG. 5

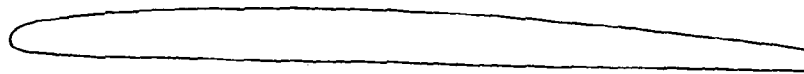


FIG. 7

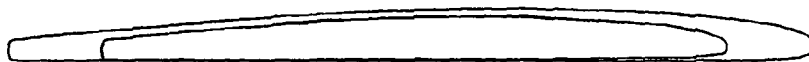


FIG. 8

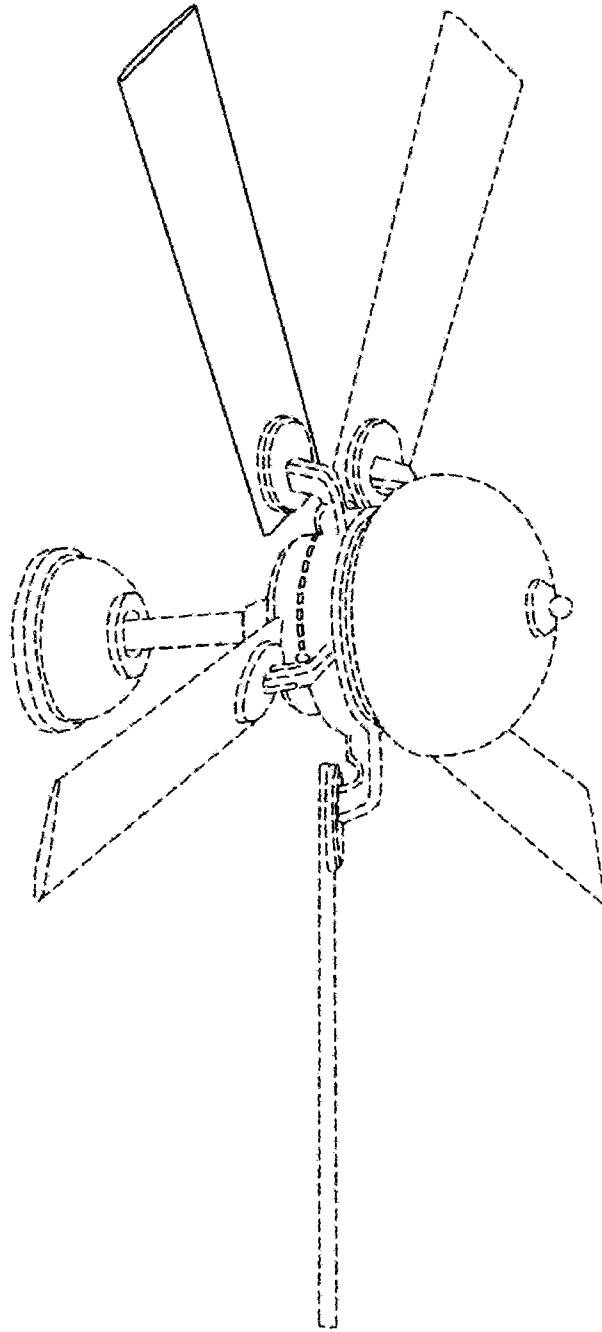


FIG. 9

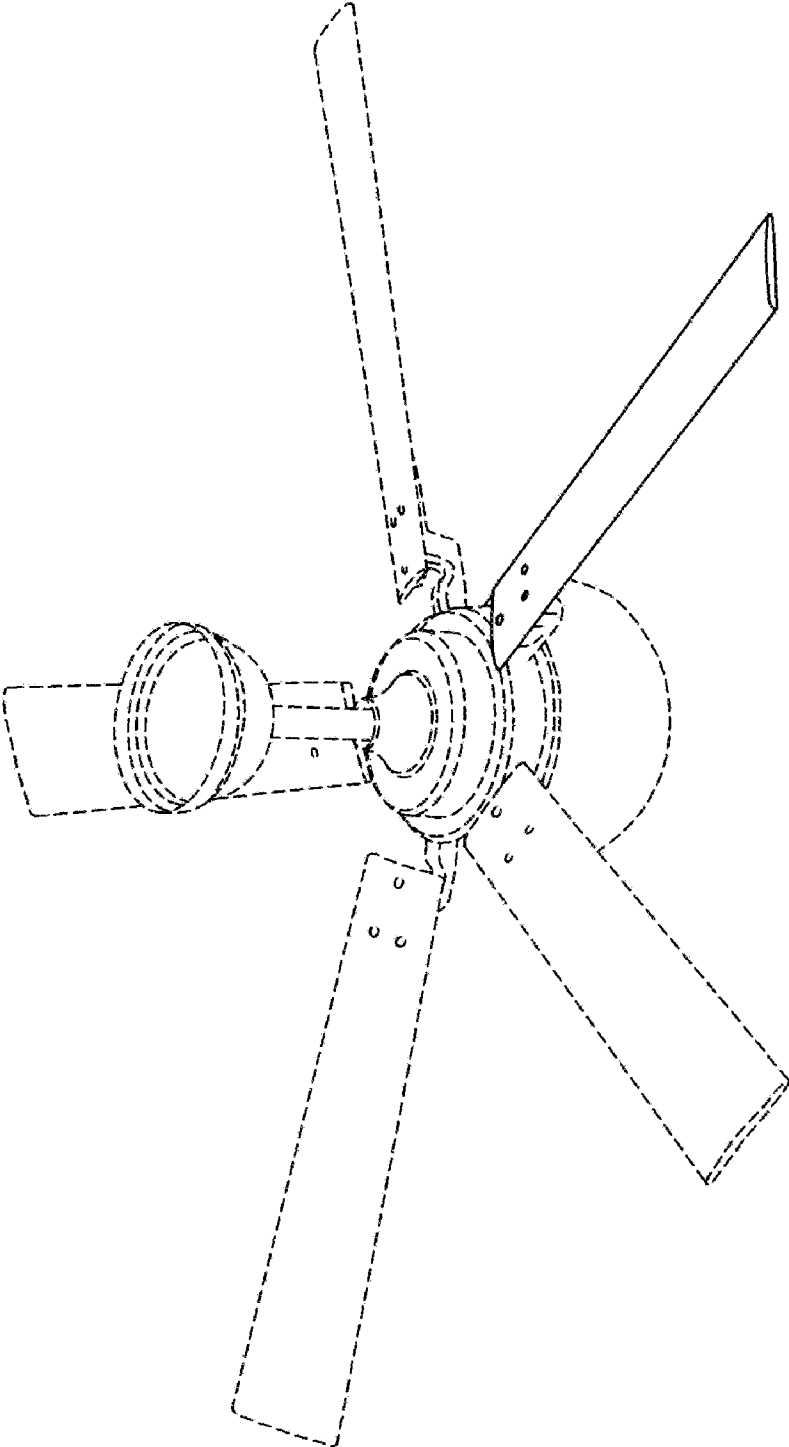


FIG. 10

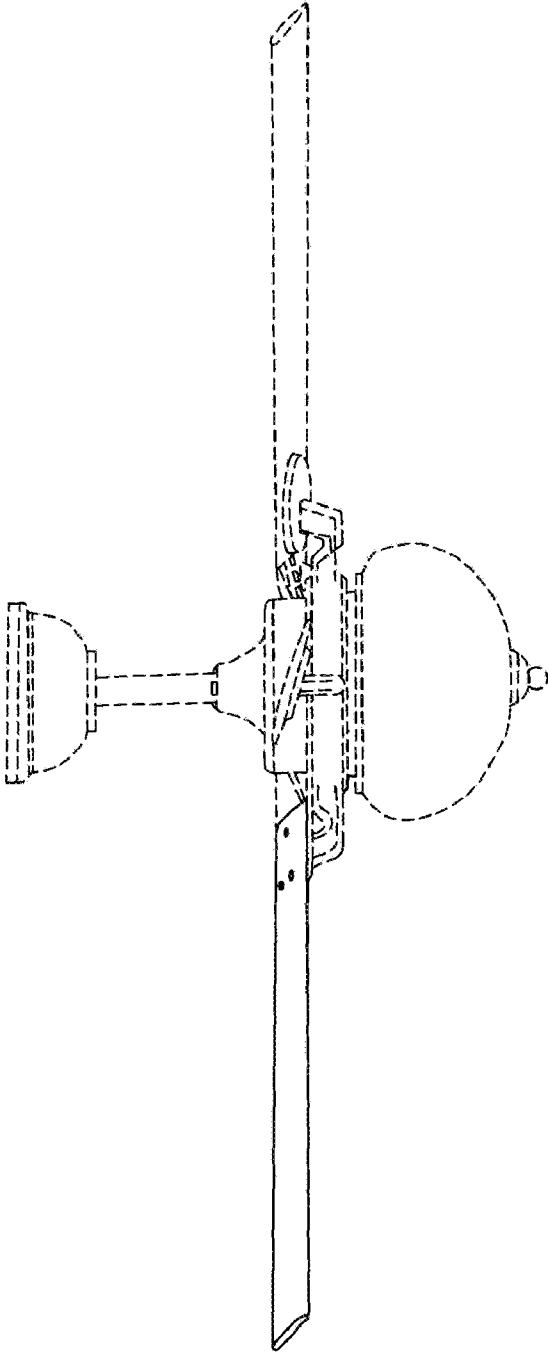


FIG. 11

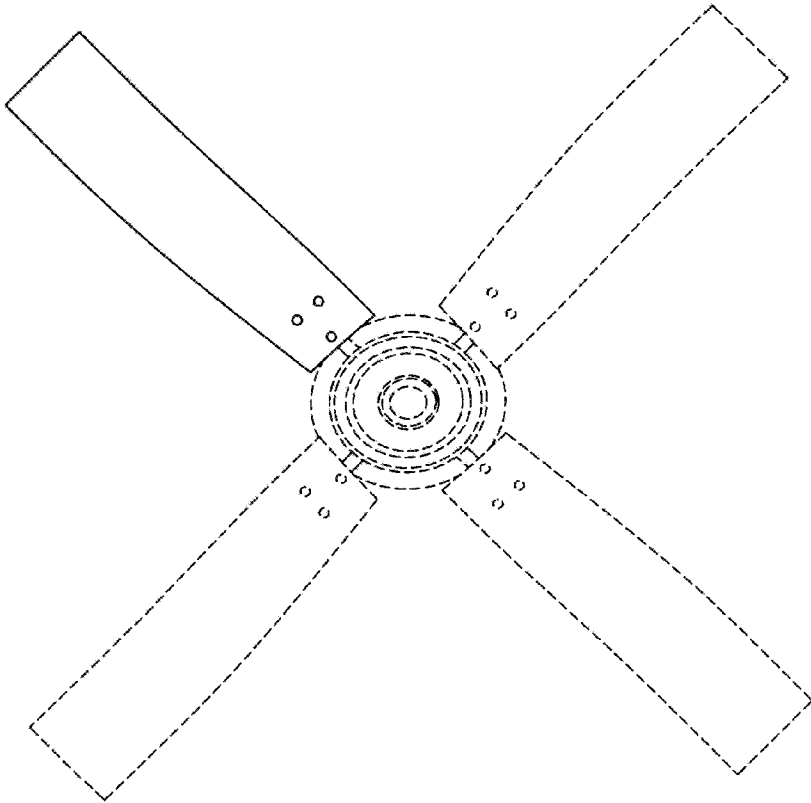


FIG. 12

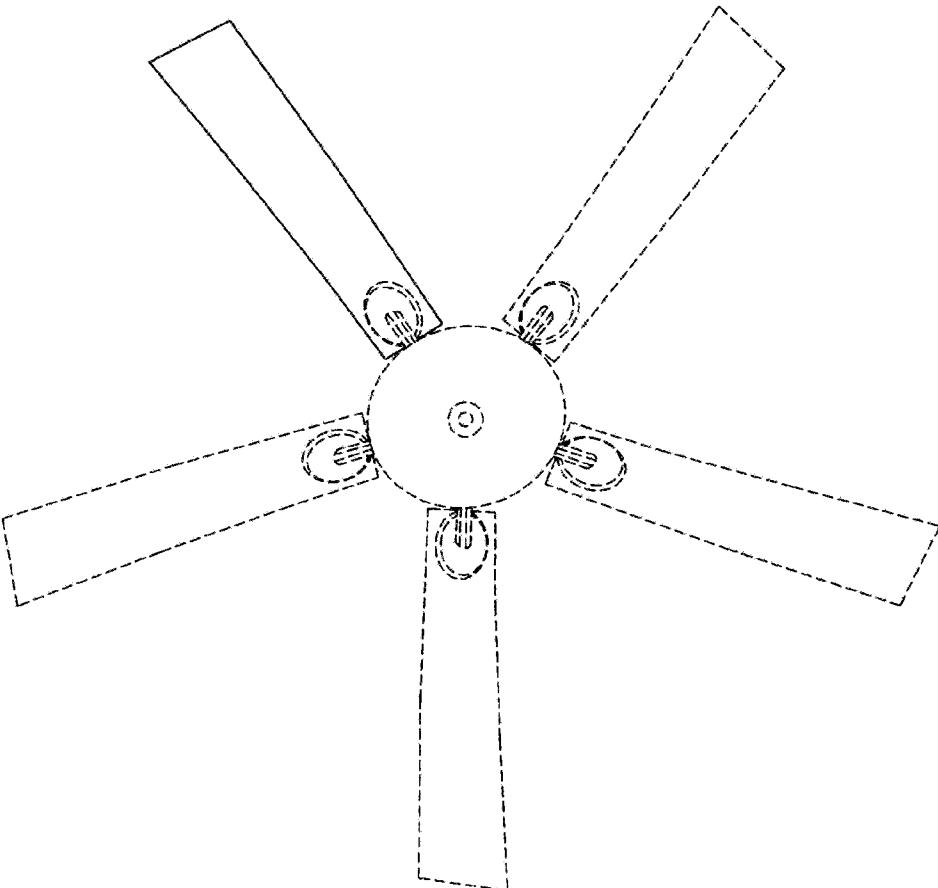


FIG. 13