

Apparatus and Method of Forming High Crystalline Quality Layer

12-31-2013

Aravinda Kar
University of Central Florida

Nat Quick
Applicote Associates

Find similar works at: <https://stars.library.ucf.edu/patents>

University of Central Florida Libraries <http://library.ucf.edu>

Recommended Citation

Kar, Aravinda and Quick, Nat, "Apparatus and Method of Forming High Crystalline Quality Layer" (2013). *UCF Patents*. 34.
<https://stars.library.ucf.edu/patents/34>

This Patent is brought to you for free and open access by the Technology Transfer at STARS. It has been accepted for inclusion in UCF Patents by an authorized administrator of STARS. For more information, please contact lee.dotson@ucf.edu.



US008617965B1

(12) **United States Patent**
Quick et al.

(10) **Patent No.:** **US 8,617,965 B1**
(45) **Date of Patent:** **Dec. 31, 2013**

(54) **APPARATUS AND METHOD OF FORMING HIGH CRYSTALLINE QUALITY LAYER**

(75) Inventors: **Nathaniel R. Quick**, Lake Mary, FL (US); **Aravinda Kar**, Oviedo, FL (US)

(73) Assignee: **Partial Assignment to University of Central Florida**

(*) Notice: Subject to any disclaimer, the term of this patent is extended or adjusted under 35 U.S.C. 154(b) by 0 days.

3,865,564 A	2/1975	Jaeger et al.
3,874,240 A	4/1975	Rembaum
3,943,324 A	3/1976	Haggerty
3,944,640 A	3/1976	Haggerty et al.
3,945,318 A	3/1976	Landsman
3,965,328 A	6/1976	Locke
3,981,705 A	9/1976	Jaeger et al.
4,043,170 A	8/1977	Erodi et al.
4,135,902 A	1/1979	Oehrle
4,142,088 A	2/1979	Hirsch

(Continued)

FOREIGN PATENT DOCUMENTS

(21) Appl. No.: **11/410,713**

JP	358095830 A	6/1983
JP	405024975 A	2/1993
WO	WO 03013757	2/2000

(22) Filed: **Apr. 25, 2006**

OTHER PUBLICATIONS

Related U.S. Application Data

(63) Continuation-in-part of application No. 11/062,011, filed on Feb. 18, 2005, now Pat. No. 7,618,880.

(60) Provisional application No. 60/546,564, filed on Feb. 19, 2004.

Nathaniel R. Quick, Laser Conversion of Ceramic Materials to Electroconductors, International Conference on Electronic Materials—1990, Materials Research Society, Newark, New Jersey, Sep. 17-19, 1990.

(Continued)

(51) **Int. Cl.**
H01L 21/00 (2006.01)

Primary Examiner — Savitr Mulpuri
(74) *Attorney, Agent, or Firm* — Frijouf Rust & Pyle P.A.

(52) **U.S. Cl.**
USPC **438/478**

(57) **ABSTRACT**

(58) **Field of Classification Search**
USPC 438/478, 483, 798
See application file for complete search history.

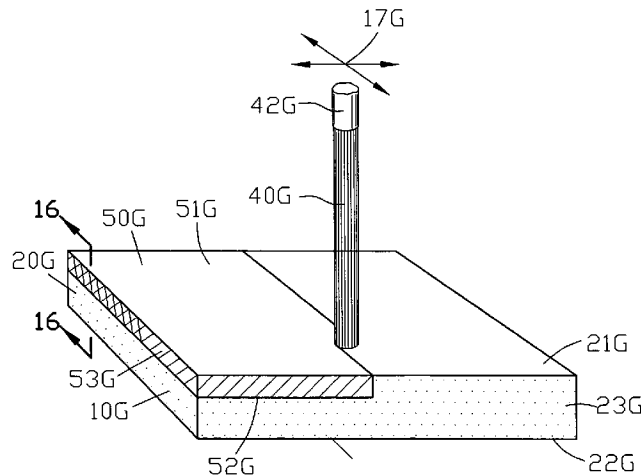
A method is disclosed for making a high crystalline quality layer in a surface region of a wide bandgap material substrate. The high crystalline quality layer is formed by directing a thermal energy beam onto the wide bandgap material in the presence of a doping gas for converting a layer of the wide bandgap material into the high crystalline quality layer. Various electrical, optical and electro-optical components may be formed within the high crystalline quality layer through a further conversion process. In an alternative embodiment, the high crystalline quality layer may be embedded within the wide bandgap material.

(56) **References Cited**

U.S. PATENT DOCUMENTS

3,214,315 A	10/1965	Hildebrand
3,396,401 A	8/1968	Nonomura
3,419,321 A	12/1968	Barber et al.
3,605,469 A	9/1971	Queralto
3,788,120 A	1/1974	Takeo et al.
3,854,123 A	12/1974	Banach

8 Claims, 6 Drawing Sheets



(56)

References Cited

U.S. PATENT DOCUMENTS

4,159,414 A 6/1979 Suh et al.
 4,215,263 A 7/1980 Grey et al.
 4,309,224 A 1/1982 Shibata
 4,339,285 A 7/1982 Pankove
 4,372,989 A 2/1983 Menzel
 4,383,843 A 5/1983 Iyengar
 4,496,607 A 1/1985 Mathias
 4,539,251 A 9/1985 Sugisawa et al.
 4,547,650 A 10/1985 Arditty et al.
 4,565,712 A 1/1986 Noguchi et al.
 4,620,264 A 10/1986 Ushifusa et al.
 4,624,934 A 11/1986 Kokubu et al.
 4,663,826 A 5/1987 Baeuerle
 4,691,091 A 9/1987 Lyons et al.
 4,710,253 A 12/1987 Soszek
 4,761,339 A 8/1988 Komatsu et al.
 4,791,239 A 12/1988 Shirahata et al.
 4,840,853 A 6/1989 Lio et al.
 4,847,138 A 7/1989 Boylan et al.
 4,860,442 A 8/1989 Ainsworth et al.
 4,872,923 A 10/1989 Borodin
 4,880,770 A 11/1989 Mir et al.
 4,901,550 A 2/1990 Koide
 4,912,063 A * 3/1990 Davis et al. 117/97
 4,912,064 A * 3/1990 Kong et al. 438/507
 4,912,087 A 3/1990 Aslam et al.
 4,924,033 A 5/1990 Iyogi et al.
 4,950,558 A 8/1990 Sarin
 4,962,085 A 10/1990 deBarbadillo, II et al.
 4,988,564 A 1/1991 D'Angelo et al.
 5,015,618 A 5/1991 Levinson
 5,055,967 A 10/1991 Sukonnik et al.
 5,127,364 A 7/1992 Savkar et al.
 5,145,741 A 9/1992 Quick
 5,149,681 A 9/1992 Ohkawa et al.
 5,180,440 A 1/1993 Siegel et al.
 5,336,360 A 8/1994 Nordine
 5,391,841 A 2/1995 Quick
 5,405,481 A 4/1995 Licoppe et al.
 5,459,098 A 10/1995 Maya
 5,493,096 A 2/1996 Koh
 5,549,971 A 8/1996 Nordine
 5,629,532 A 5/1997 Myrick
 5,680,200 A 10/1997 Sugaya et al.
 5,695,828 A 12/1997 Ghosh et al.
 5,733,609 A 3/1998 Wang
 5,754,299 A 5/1998 Sugaya et al.
 5,759,908 A 6/1998 Steckl
 5,793,042 A 8/1998 Quick
 5,823,039 A 10/1998 Umeda et al.
 5,837,607 A 11/1998 Quick
 5,847,418 A 12/1998 Nakamura et al.
 5,889,234 A 3/1999 Ghosh et al.
 5,906,708 A 5/1999 Robinson et al.
 5,961,877 A 10/1999 Robinson et al.
 6,025,609 A 2/2000 Quick
 6,054,375 A 4/2000 Quick
 6,064,081 A 5/2000 Robinson et al.
 6,203,861 B1 3/2001 Kar et al.
 6,221,154 B1 4/2001 Lee et al.
 6,252,197 B1 6/2001 Hoekstra et al.
 6,255,671 B1 7/2001 Bojarczuk, Jr. et al.
 6,271,576 B1 8/2001 Quick
 6,274,234 B1 8/2001 Dujardin et al.
 6,303,473 B1 * 10/2001 Heffernan et al. 438/483
 6,313,015 B1 11/2001 Lee et al.
 6,334,939 B1 1/2002 Zhou et al.
 6,407,443 B2 6/2002 Chen et al.
 6,526,327 B2 2/2003 Kar et al.
 6,621,448 B1 9/2003 Lasky et al.
 6,670,693 B1 12/2003 Quick
 6,703,294 B1 * 3/2004 Schoner et al. 438/519
 6,732,562 B2 5/2004 Quick et al.
 6,930,009 B1 8/2005 Quick
 6,939,748 B1 9/2005 Quick

7,237,422 B2 7/2007 Quick
 7,268,063 B1 9/2007 Quick
 7,419,887 B1 9/2008 Quick
 2004/0053438 A1 * 3/2004 Abe et al. 438/93

OTHER PUBLICATIONS

Nathaniel R. Quick, Direct Conversion of Conductors on Ceramic Substrates, International Society for Hybrid Microelectronics, ISHM 90 Proceedings 1990.
 Nathaniel R. Quick and Jeffrey A. Phillips, Laser Processes for Integrating Substrate Fabrication, Proceedings of the International Conference on Lasers '91, The Society for Optical & Quantum Electronics, pp. 537-544 San Diego, CA Dec. Sep. 13, 1991.
 Nathaniel R. Quick and Richard J. Matson, Characterization of a Ceramic Electrical Conductor Synthesized by a Laser Conversion Process, Proceedings of the International Conference on Lasers '91, The Society for Optical & Quantum Electronics, pp. 545-552 San Diego, CA Dec. 9-13, 1991.
 Nathaniel R. Quick, Characterization of a Ceramic Sensor Synthesized by a Laser Conversion Process, Proceedings of the International Conference on Lasers '92, The Society for Optical & Quantum Electronics, pp. 881-887 Houston, Texas Dec. 7-10, 1992.
 Nathaniel R. Quick, Characterization of a Ceramic Thermal Sensor Synthesized by a Laser Concercion Process, ICALEO '92 (International Congress on Applications of Lasers and Electro-Optics), vol. 75 Laser Materials Processing, Laser Institute of America, pp. 394-404 Oct. 25-29, 1992.
 D. K. Sengupta, N. R. Quick and A. Kar, Laser Direct Write of Conducting and Insulating Tracks in Silicon Carbide, Materials Research Society Symposium Proceedings vol. 624 pp. 127-133 2000.
 D. K. Sengupta, N. R. Quick and A. Kar, Laser Conversion of Electrical Properties for Silicon Carbide Device Applications, Journal of Laser Applications., 2001, vol. 13, pp. 26-31.
 I.A. Salama, N.R. Quick and A. Kar, Laser Doping of Silicon Carbide Substrates, Journal of Electronic Materials, vol. 31, 2002, pp. 200-208.
 I.A. Salama, N. R. Quick and A. Kar, Microstructural and electrical resistance analysis of laser-processed SiC substrates for wide bandgap semiconductor materials, Journal of Materials Science, vol. 40, 2005, pp. 3969-3980.
 I.A. Salama, N. R. Quick and A. Kar, Laser Synthesis of Carbon-Rich SiC Nanoribbons, Journal of Applied Physics, vol. 93, 2003, pp. 9275-9281.
 I.A. Salama, N.R. Quick, and A. Kar, Laser Direct Write Doping of Wide-Bandgap Semiconductor Materials, IEEE ICSC 2003 Proceedings.
 A. Salama, C. F. Middleton, N. R. Quick G. D. Boreman and A. Kar, Laser-Metallized Silicon Carbide Schottky Diodes for Millimeter Wave Detection and Frequency Mixing, Symposium N1 Nitride and Wide Bandgap Semiconductors for Sensors, Photonics and Electronics IV, 204th Meeting of the Electrochemical Society, Orlando, Florida Oct. 12-16, 2003.
 A. Salama, N. R. Quick and A. Kar, Laser Direct Metallization of Silicon Carbide without Metal Deposition, Symposium C, New Applications for Wide Bandgap Semiconductors, Materials Research Society, Apr. 23-24 2003.
 I. A. Salama, N. R. Quick and A. Kar, Laser-induced Dopant Incorporation in Wide Bandgap Materials: SiC and GaN, ICALEO 2003 (International Congress on Applications of Lasers and Electro-Optics) Proceedings, 2003.
 I.A. Salama, N. R. Quick, and A. Kar, Laser Direct Writing and Doping of Diamond-like Carbon, Polycrystalline Diamond and Single Crystal Silicon Carbide, Journal of Laser Applications, vol. 16, 2004, pp. 92-99.
 Z. Tian, N. R. Quick and A. Kar, Laser Direct Write and Gas Immersion Laser Doping Fabrication of SiC Diodes, J. Silicon Carbide Materials, Processing and Devices, Symposium J Apr. 14-15, 2004.
 Z. Tian, N. R. Quick and A. Kar, Laser Doping of Silicon Carbon and PIN Diode Fabrication, 23rd International Congress on Applications of Lasers & Electro-Optics 2004.

(56)

References Cited

OTHER PUBLICATIONS

A. Kar and N. R. Quick, Laser Processing for Wide Bandgap Semiconductor Device Fabrication, 2004 Meeting of Optical Society of America, 2004.

Z. Tian, I.A. Salama, N. R. Quick and A. Kar, Effects of Different laser Sources and Doping Methods used to Dope Silicon Carbide, *Acta Materialia*, vol. 53, 2005, pp. 2835-2844.

I.A. Salama, N. R. Quick and A. Kar, Microstructural and electrical resistance analysis of laser-processed SiC substrates for wide bandgap semiconductor materials, *Journal of Materials Science*, vol. 40, 2005, pp. 3969-3980.

Z. Tian, N. R. Quick and A. Kar; Characteristics of 6H-Silicon Carbide PIN Diodes Prototyping by Laser Doping, *Journal of Electronic Materials*, vol. 34, 2005, pp. 430-438.

Chong Zhang, A. Salama, N. R. Quick and A. Kar, Two-Dimensional Transient Modeling of CO₂ Laser Drilling of Microvias in High Density Flip Chip Substrates, ICALEO 2005 (International Congress on Applications of Lasers and Electro-Optics), Laser Institute of America, Oct. 31-Nov. 3, 2005.

Chong Zhang, S. Bet, A. Salama, N. R. Quick and A. Kar, CO₂ Laser Drilling of Microvias Using Diffractive Optics Techniques: I Mathematical Modeling, InterPack 05, The ASME/Pacific Rim Technical Conference on Integration and Packaging of MEMS, NEMS and Electronic Systems, San Francisco, CA Jul. 17-22, 2005.

Z. Tian, N. R. Quick and A. Kar, Laser Synthesis of Optical Structures in Silicon Carbide, 207th Meeting of the Electrochemical Society Proceedings, May 15-20, 2005.

Z. Tian, N. R. Quick and A. Kar, Laser-enhanced diffusion of nitrogen and aluminum dopants in silicon carbide, *Acta Materialia*, vol. 54, 2006, pp. 4273-4283.

Z. Tian, N. R. Quick and A. Kar, Laser Direct Write Doping and Metallization Fabrication of Silicon Carbide Pin Diodes, *Materials Science Forum*, vols. 527-529, 2006, pp. 823-826.

S. Dakshinamurthy, N.R. Quick and A. Kar, SiC-based Optical Interferometry at high pressures and temperatures for pressure and chemical sensing, *Journal of Applied Physics*, vol. 99, 2006, pp. 094902-1 to 094902-8.

C. Zhang, A. Salama, N. R. Quick and A. Kar, Modelling of Microvia Drilling with a Nd:YAG Laser, *Journal of Physics D: Applied Physics* 39 (2006) 3910-3918.

Z. Tian, N. R. Quick and A. Kar, Laser Endotaxy and PIN Diode Fabrication of Silicon Carbide, 2006 Spring Meeting of Materials Research Society, 2006.

Z. Tian, N. R. Quick and A. Kar, Characteristics of Laser-Fabricated Diodes on Endotaxial Silicon Carbide Substrates, ESCRM (European Conference on Silicon Carbide and Related Materials) Proceedings 2006.

S. Bet, N.R. Quick and A. Kar, Laser Doping of Chromium and Selenium in p-type 4H-SiC, ICSCRM 2007 Symposium.

N. Quick, S. Bet and A. Kar, Laser Doping Fabrication of Energy Conversion Devices Materials Science and Technology 2007 Conference and Exhibition.

S. Bet, N.R. Quick and A. Kar, Effect of Laser Field and Thermal Stress on Diffusion in Laser Doping of SiC, *Acta Materialia* 55 (2007) 6816-6824.

S. Bet, N.R. Quick and A. Kar, Laser-Doping of Silicon Carbide for p-n Junction and LED Fabrication, *Physica Status Solidi (A)*, vol. 204, No. 4, 2007, pp. 1147-1157.

S. Dakshinamurthy, N.R. Quick and A. Kar, Temperature-dependent Optical Properties of Silicon Carbide for Wireless Temperature Sensors, *Journal of Physics D: Applied Physics* 40 (2007)353-360.

S. Dakshinamurthy, N.R. Quick and A. Kar, High temperature optical properties of silicon carbide for wireless thermal sensing, *Journal of Physics D: Applied Physics*, vol. 40, No. 2, 2007, pp. 353-360.

Chong Zhang, A. Salama, N.R. Quick and A. Kar, Determination of Thermophysical Properties for Polymer Films using Conduction Analysis of Laser Heating, *International Journal of Thermophysics*, vol. 28, No. 3, Jun. 2007.

N. R. Quick, S. Bet and A. Kar, Laser Doping Fabrication of Energy Conversion Devices, Materials Science and Technology 2007 Conference and Exhibition, Sep. 19, 2007.

S. Bet, N.R. Quick and A. Kar, Laser Doping of Chromium in 6H-SiC for QWhite Light Emitting Diodes, Laser Institute of America, *Journal of Laser Applications* Vol. 20 No. 1 pp. 43-49 Feb. 2008.

Z. Tian, N. R. Quick and A. Kar, Laser Endotaxy in Silicon Carbide and PIN Diode Fabrication, Laser Institute of America, *Journal of Laser Applications*, vol. 20 No. 2 pp. 106-115, May 2008.

I. Salama, N. Quick and A. Kar, Laser Direct Write Doping of Wide-Bandgap Semiconductor Materials, ISCS 2003 Proceedings, 2003.

I. Salama, N. Quick and A. Kar, Laser Microprocessing of Wide Bandgap Materials, Proceedings of International Congress on Laser Advanced Materials Processing (LAMP 2002).

* cited by examiner

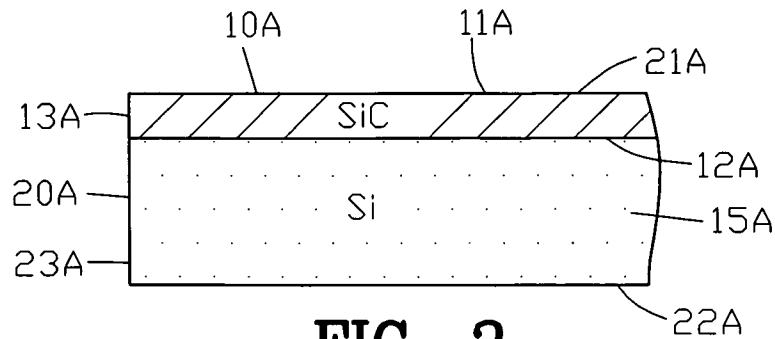


FIG. 3

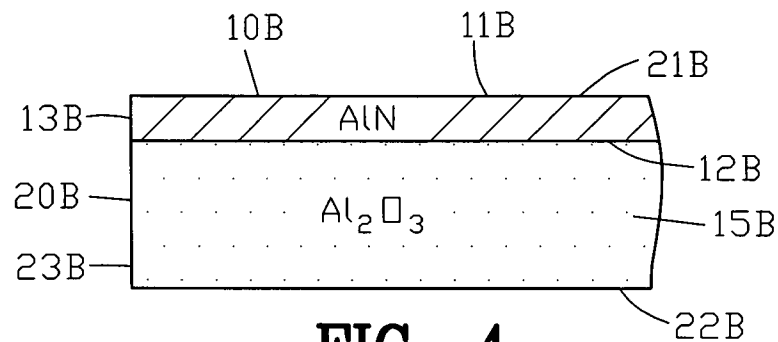


FIG. 4

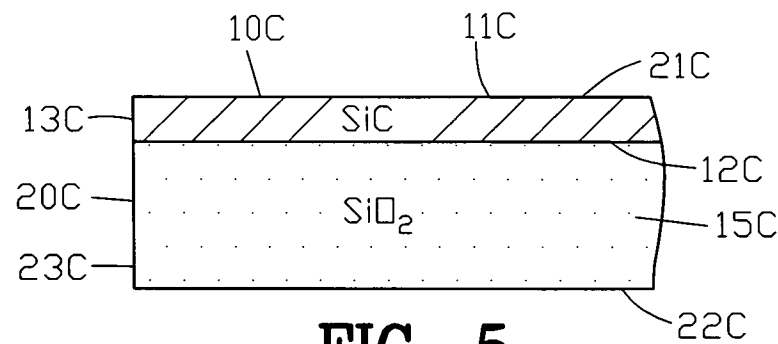


FIG. 5

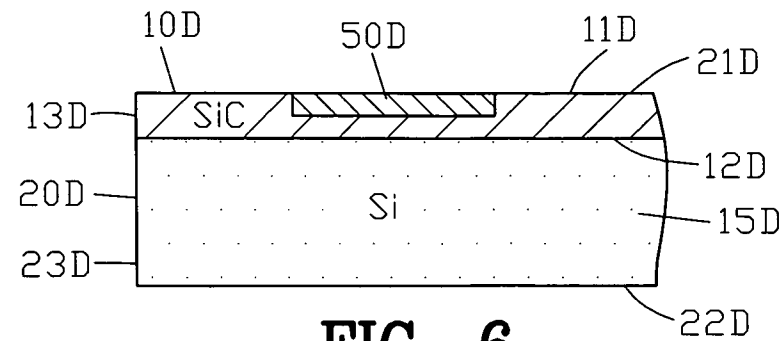


FIG. 6

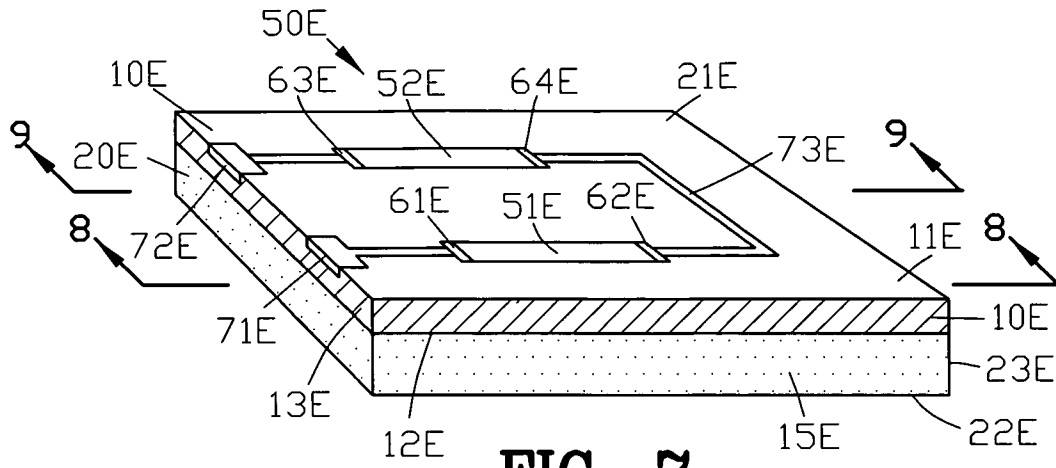


FIG. 7

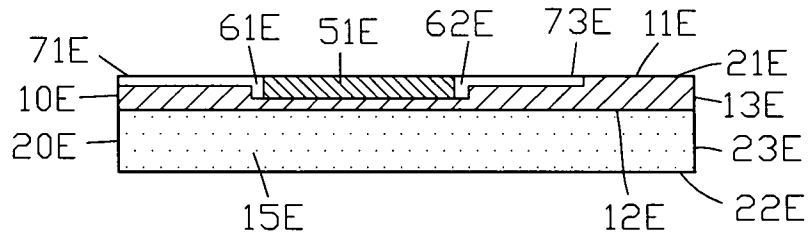


FIG. 8

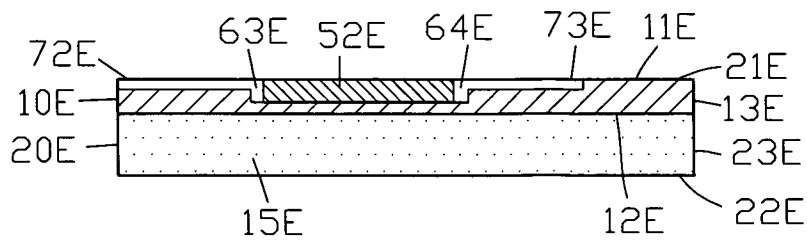


FIG. 9

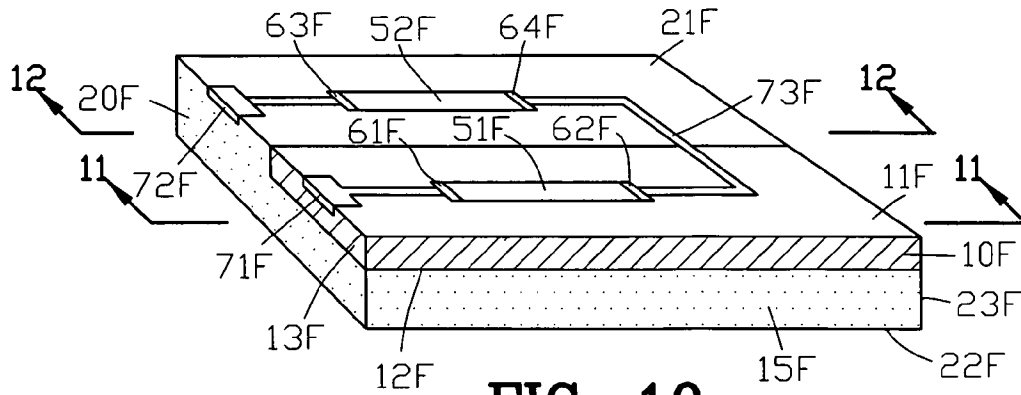


FIG. 10

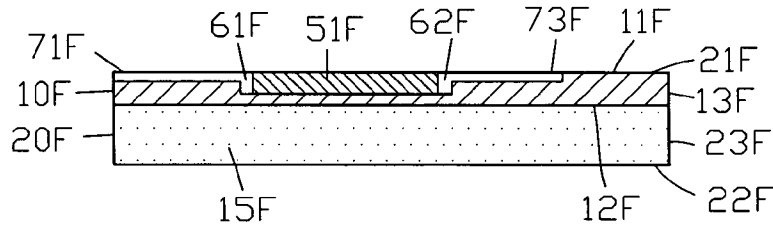


FIG. 11

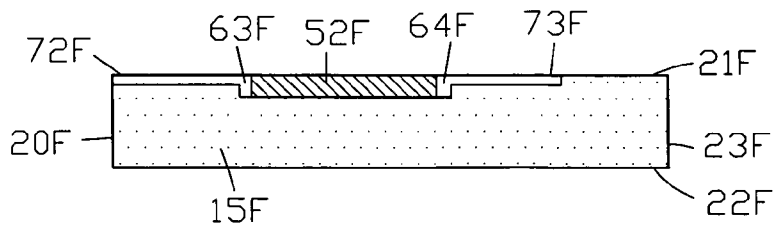


FIG. 12

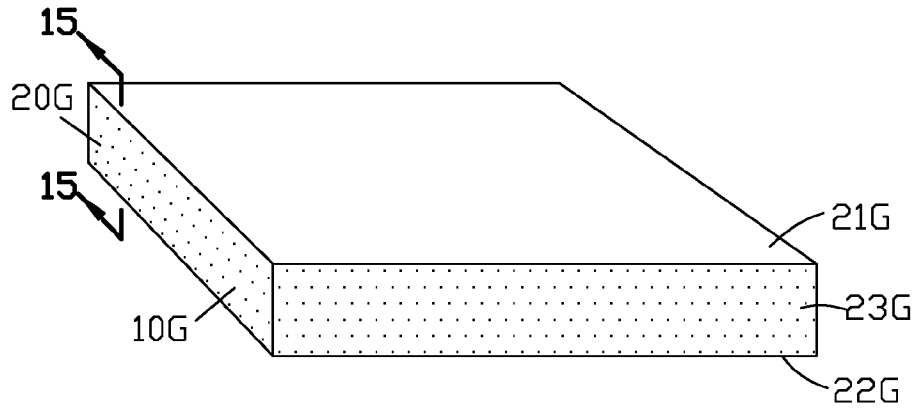


FIG. 13

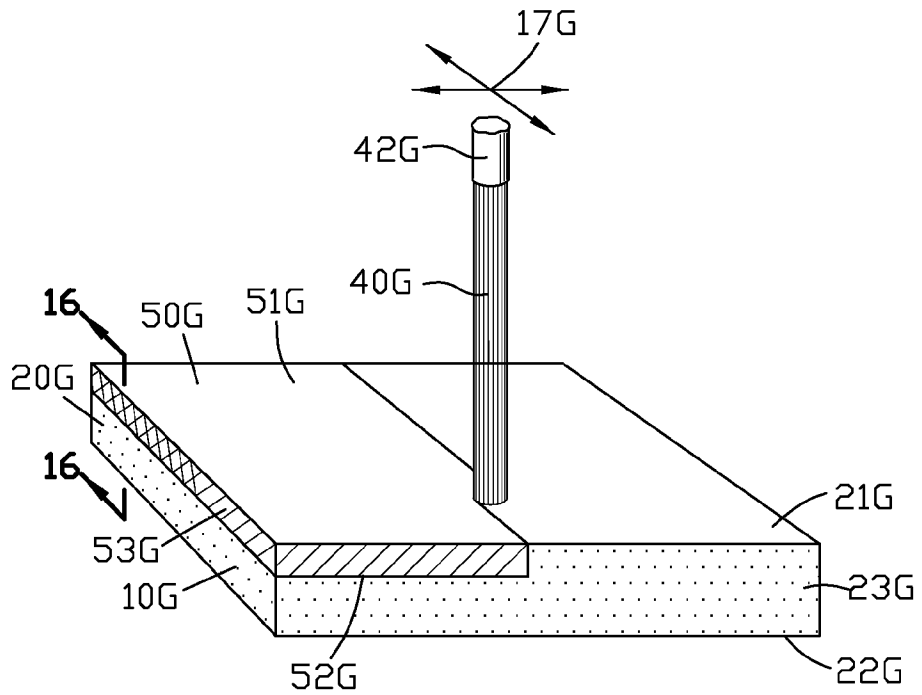


FIG. 14

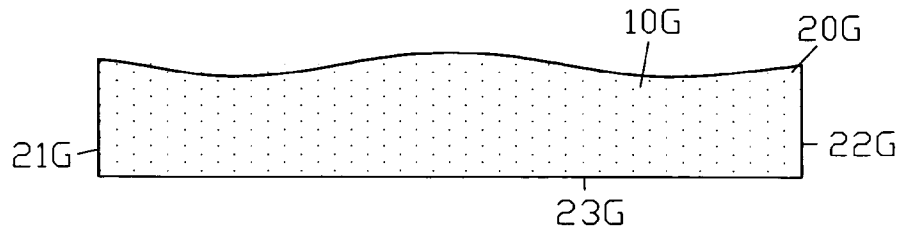


FIG. 15

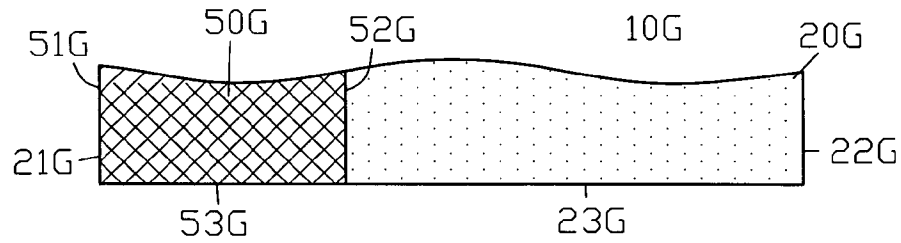


FIG. 16

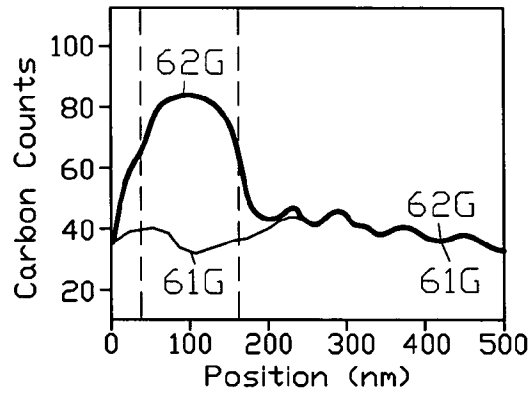


FIG. 17

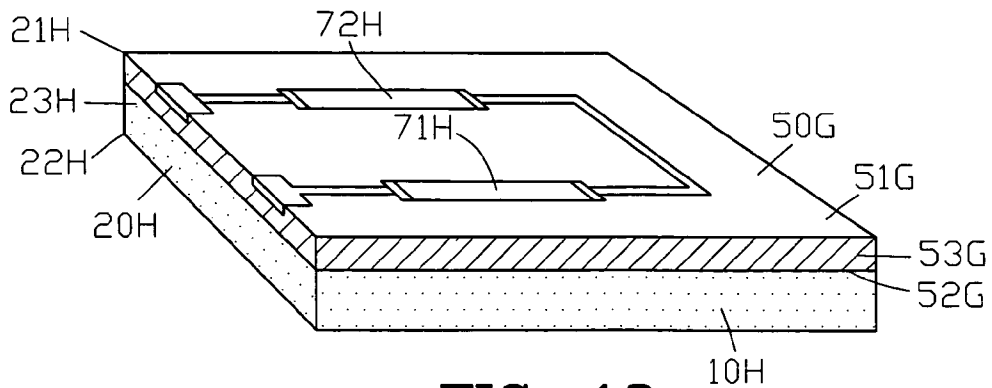


FIG. 18

APPARATUS AND METHOD OF FORMING HIGH CRYSTALLINE QUALITY LAYER

CROSS-REFERENCE TO RELATED APPLICATIONS

This is a continuation-in-part of U.S. patent application Ser. No. 11/062,011 filed Feb. 18, 2005 now U.S. Pat. No. 7,618,880. U.S. patent application Ser. No. 11/062,011 claims benefit of U.S. Patent Provisional application Ser. No. 60/546,564 filed Feb. 19, 2004. All subject matter set forth in U.S. patent application Ser. No. 11/062,011 and U.S. provisional application Ser. No. 60/546,564 is hereby incorporated by reference into the present application as if fully set forth herein

BACKGROUND OF THE INVENTION

1. Field of the Invention

This invention relates to wide bandgap materials and more particularly an article comprising a high crystalline quality layer formed in a wide bandgap material and the method of forming a high crystalline quality layer. The invention relates further to an improved component such as wide bandgap semiconductor device formed within the high crystalline quality layer.

2. Background of the Invention

Presently, silicon and gallium arsenide are the dominant conventional semiconductor materials used in the manufacture of semiconductor devices. Silicon and gallium arsenide are considered non-wide bandgap semiconductors. In contrast, wide bandgap semiconductors have superior properties including breakdown field, dielectric constant, thermal conductivity and saturated electron drift velocity. Unfortunately, wide bandgap semiconductors are expensive due to high processing costs and poor yields emanating from wafer growth through device packaging.

Ceramic substrates having wide bandgap semiconductor compositions, such as silicon carbide (SiC) and aluminum nitride (AlN), are known to exhibit electrical properties ranging from insulating electrical properties, semiconducting electrical properties and conducting electrical properties.

The wide-bandgap semiconductor phases of ceramics and other wide-bandgap semiconductors including diamond are used to create devices such as conductive tabs, interconnects, vias, wiring patterns, resistors, capacitors, semiconductor devices and the like electronic components by laser synthesis on the surfaces and within the body of such wide-bandgap semiconductors to thereby eliminate photolithography processes which require numerous steps and generate undesirable chemical pollutants when processing such traditional electronic devices, components and circuitry.

It is well known that alumina (Al₂O₃) dominates the dielectric market as an integrating substrate or device carrier in electronics packaging. Boron nitride (BN), aluminum nitride (AlN), silicon carbide (SiC) and diamond are also of interest due to the thermal coefficient of expansion (TCE) and for the dielectric constant and higher thermal conductivity than that of aluminum oxide (Al₂O₃). Silicon carbide (SiC), aluminum nitride (AlN), boron nitride (BN), gallium nitride (GaN) and diamond also exhibit a wide-band gap and chemical resistance as well as exhibiting properties from a semiconductor to an insulator. These properties are of substantial interest for high temperature applications approaching 1000° C. and for aggressive environment applications. In addition, these properties are desirable for high density integrated circuit packing.

In the prior art, metallization methods, including dry-film imaging and screen printing have been used for the production of conductive patterns on alumina. However, metal compatibility difficulties with high thermal conductivity ceramic materials such as aluminum nitride (AlN) and silicon carbide (SiC), have not been completely solved. Copper and silver paste exhibits a thermal coefficient of expansion (TCE) mismatch aggravated by high temperatures as well as being subject to oxidation that increases the resistivity. In particular, bonding of copper to aluminum nitride (AlN) has proved to be nontrivial. Alumina or stoichiometric aluminum oxynitride (AlON) coatings must be developed on the aluminum nitride (AlN) surface through passivation processes. These passivation processes have poor reproducibility. Thus, the direct laser synthesis of conductors in aluminum nitride (AlN), silicon carbide (SiC) and diamond substrates appears to provide solutions to this long standing prior art problem with regard to metallization and for more simple processing techniques for creating devices and circuitry that are compatible with selected ceramic substrates, while satisfying the need for higher temperature, aggressive environment, and higher density integrated circuit packaging applications.

Many commercially available wafers of wide band gap material contain impurities such as substitutional atoms, and numerous lattice defects including lattice vacancies, dislocations and micropipes. These impurities and lattice defects result in a low resistivity for the wide bandgap material. The low resistivity makes the wide bandgap material unsuitable as a defect free intrinsic semiconductor for fabricating defect free devices and isolating devices.

One example of a commercially available wide band gap material is silicon carbide wafer SiC. A conventionally processed silicon carbide SiC wafer contains processed induced defects including 1) carbon vacancies created by the displacement of carbon atoms from lattice to interstitial sites, 2) substitutional nitrogen atoms located in the carbon vacancies, 3) dislocations, 4) stacking faults and 5) micropipes. The above defects render the silicon carbide wafer SiC unsuitable for use as a defect free intrinsic semiconductor for fabricating defect free devices and isolating devices.

One conventional approach is to create a high quality layer or thin film on the wide bandgap material. An external layer (epitaxy layer) is deposited upon an external surface of the commercially available wafers of the wide bandgap material. Typically, the external layer (epitaxy layer) is applied to the external surface of the commercially available wafers by chemical vapor deposition (CVD), molecular beam epitaxy (MBE) or liquid phase epitaxy techniques. The wafers of wide bandgap material serve as a seed substrate and the external layer (epitaxy layer) is grown on top of the seed substrate. Unfortunately, defects and/or impurities in the underlying wide bandgap material can migrate or travel into the external layer (epitaxy layer).

Completely different methods of processing material such as wide bandgap materials are discussed in U.S. Pat. No. 5,145,741; U.S. Pat. No. 5,391,841; U.S. Pat. No. 5,793,042; U.S. Pat. No. 5,837,607; U.S. Pat. No. 6,025,609; U.S. Pat. No. 6,054,375; U.S. Pat. No. 6,271,576, U.S. Pat. No. 6,670,693, U.S. Pat. No. 6,930,009 and U.S. Pat. No. 6,939,748 are hereby incorporated by reference into the present application.

The prior invention disclosed in U.S. patent application Ser. No. 11/062,011 filed Feb. 18, 2005 and U.S. Provisional application Ser. No. 60/546,564 filed Feb. 19, 2004 disclosed an apparatus and a process for forming a layer of a wide bandgap material in a non-wide bandgap material. The present invention seeks to improve upon the prior invention

disclosed in U.S. patent application Ser. No. 11/062,011 and U.S. Provisional application Ser. No. 60/546,564.

Therefore, it is an object of the present invention to provide an apparatus and method for forming a high crystalline quality layer (endolayer) within a wide bandgap substrate.

Another object of this invention is to provide an apparatus and method for forming a high crystalline quality layer (endolayer) integral within the wide bandgap substrate.

Another object of this invention is to provide an apparatus and method for forming a high crystalline quality layer (endolayer) within a wide bandgap substrate suitable for use as a defect free intrinsic semiconductor material.

Another object of this invention is to provide an apparatus and method for forming a high crystalline quality layer (endolayer) within a wide bandgap substrate and for subsequently forming a component within the high crystalline quality layer (endolayer).

Another object of this invention is to provide an apparatus and method for forming a high crystalline quality layer (endolayer) within a wide bandgap substrate that forms a continuous or diffuse boundary as opposed to a discrete boundary and matches the thermal coefficient of thermal expansion of the parent substrate that prevents introduction of mobile defects into the endolayer.

Another objective of this invention is to provide a defect free intrinsic wide bandgap semiconductor material for defect free devices and device isolation.

The foregoing has outlined some of the more pertinent objects of the present invention. These objects should be construed as being merely illustrative of some of the more prominent features and applications of the invention. Many other beneficial results can be obtained by modifying the invention within the scope of the invention. Accordingly other objects in a full understanding of the invention may be had by referring to the summary of the invention, the detailed description describing the preferred embodiment in addition to the scope of the invention defined by the claims taken in conjunction with the accompanying drawings.

SUMMARY OF THE INVENTION

The present invention is defined by the appended claims with specific embodiments being shown in the attached drawings. For the purpose of summarizing the invention, the invention relates to a method of forming a high crystalline quality layer within a wide bandgap material having crystalline defects. The method comprises providing a substrate of a wide bandgap material having crystalline defects. A doping gas is applied to the wide bandgap material. A thermal energy beam is directed onto the wide bandgap material in the presence of the doping gas for donating atoms into the crystalline defects for creating a layer of high crystalline quality layer within a wide bandgap material.

In a more specific example of the invention, the substrate of the wide bandgap material includes selecting the substrate from the group consisting of a silicon carbide, aluminum nitride, diamond, diamond-like-carbon, gallium nitride and boron nitride. The doping gas applied to the wide bandgap material has at least one element common to the wide bandgap material. Preferably, the doping gas is selected from the group consisting of methane or acetylene or a nitrogen doping gas.

In another example of the invention, the thermal energy beam is selected from the group consisting of a beam of charged particles, a beam of electrons, a beam of ions or a beam of electromagnetic radiation directed onto the layer for

converting the layer into a wide bandgap material. In the preferred form of the invention, the thermal energy beam is a laser beam.

The thermal energy beam creates a high crystalline quality endolayer within the wide bandgap material. A second thermal energy beam may be directed onto the high crystalline quality endolayer for creating an electrical component within the high crystalline quality layer in the wide bandgap material.

In a more specific example, the invention comprises a method of forming a high crystalline quality layer within a low crystalline quality silicon carbide material. The method comprises a substrate of a silicon carbide material having a low crystalline quality. A doping gas is applied to the silicon carbide material. A thermal energy beam is directed onto the silicon carbide material in the presence of the doping gas for converting a layer of the low crystalline quality silicon carbide material into a high crystalline quality layer within the silicon carbide material.

The doping gas has at least one element common to the silicon carbide material. Preferably, the doping gas is selected from the group consisting of silane, methane, acetylene, trimethylaluminum, nitrogen, diborane and triethyl gallium.

The invention is also incorporated into an improved component comprising a substrate of a low crystalline quality wide bandgap material and a high crystalline quality layer of wide bandgap material formed in situ within a region of said low crystalline quality wide bandgap material. An electrical device may be formed in the high crystalline quality layer.

The foregoing has outlined rather broadly the more pertinent and important features of the present invention in order that the detailed description that follows may be better understood so that the present contribution to the art can be more fully appreciated. Additional features of the invention will be described hereinafter which form the subject of the claims of the invention. It should be appreciated by those skilled in the art that the conception and the specific embodiments disclosed may be readily utilized as a basis for modifying or designing other structures for carrying out the same purposes of the present invention. It should also be realized by those skilled in the art that such equivalent constructions do not depart from the spirit and scope of the invention as set forth in the appended claims.

BRIEF DESCRIPTION OF THE DRAWINGS

For a fuller understanding of the nature and objects of the invention, reference should be made to the following detailed description taken in connection with the accompanying drawings in which:

FIG. 1 is a side view of an air-tight chamber with a thermal energy beam impinging on a non-wide bandgap material for forming a layer of a wide bandgap material in the non-wide bandgap material;

FIG. 2 is an enlarged isometric view of the layer of the wide bandgap material formed in the non-wide bandgap material;

FIG. 3 is an enlarged partial sectional view of a first embodiment of silicon carbide (SiC) wide bandgap material formed in a silicon (Si) non-wide bandgap material;

FIG. 4 is an enlarged partial sectional view of a second embodiment of an aluminum nitride (AlN) wide bandgap material formed in an alumina (Al₂O₃) non-wide bandgap material;

FIG. 5 is an enlarged partial sectional view of a third embodiment of a silicon carbide (SiC) wide bandgap material formed in a silica (SiO₂) non-wide bandgap material;

5

FIG. 6 is an enlarged partial sectional view of a fourth embodiment of a diamond like carbon material formed in the silicon carbide (SiC) wide bandgap material defined in a silicon (Si) non-wide bandgap material;

FIG. 7 is an enlarged isometric view of a fifth embodiment of an improved component formed in the wide bandgap material;

FIG. 8 is a sectional view along line 8-8 in FIG. 7;

FIG. 9 is a sectional view along line 9-9 in FIG. 7;

FIG. 10 is an enlarged isometric view of a sixth embodiment of an improved semiconductor device formed in the wide bandgap material;

FIG. 11 is a sectional view along line 11-11 in FIG. 10;

FIG. 12 is a sectional view along line 12-12 in FIG. 10;

FIG. 13 is an enlarged isometric view of a seventh embodiment of the invention illustrating a substrate of a wide bandgap material having numerous lattice defects and/or lattice vacancies;

FIG. 14 illustrates the process of forming of a high crystalline quality layer (endolayer) within the silicon carbide substrate of FIG. 13;

FIG. 15 is an enlarged sectional view along line 15-15 in FIG. 13 rotated ninety degrees counterclockwise;

FIG. 16 is an enlarged sectional view along line 16-16 in FIG. 14 rotated ninety degrees counterclockwise;

FIG. 17 is a graph of the energy dispersive spectra analysis of the substrate of FIG. 15 and the combined substrate and the high crystalline quality layer of FIG. 16; and

FIG. 18 is an enlarged isometric view of an eighth embodiment of the invention illustrating a semiconductor device defined in the high crystalline quality layer (endolayer) of FIG. 14.

Similar reference characters refer to similar parts throughout the several Figures of the drawings.

DETAILED DISCUSSION

FIG. 1 is a side view of an apparatus 5 for forming a layer of a wide bandgap material 10 in a non-wide bandgap material 15. The non-wide-bandgap material 15 is shown as a substrate 20 located in an air-tight chamber 30. The chamber 30 has an inlet and valve combination 31 and outlet and valve combination 32 connected to the side wall of the chamber 30 for injecting and removing gases into and therefrom, respectively. The chamber 30 includes an airtight transmission window 34. The chamber 30 is disposed on a support member 36 forming an airtight seal therewith.

FIG. 2 is an enlarged isometric view of the wide bandgap material 10 formed in the substrate 20 shown in FIG. 1. The wide bandgap material 10 defines a first and a second surface 11 and 12 and a peripheral edge 13. The substrate 20 defines a first and a second surface 21 and 22 and a peripheral edge 23. Although the substrate 20 is shown as a square, the present invention is not limited by the physical configuration of the substrate 20 as shown herein.

A thermal energy beam 40 is shown emanating from a source 42 and passing through the airtight transmission window 34 to impinge on the first surface 21 of the substrate 20. In one example, the thermal energy beam 40 is a beam of charged particles such as a beam of electrons or a beam of ions. In another example, the thermal energy beam 40 is a beam of electromagnetic radiation such as a laser beam. Examples of a suitable source of the laser beam include a Nd:YAG laser, a frequency double $2\bar{\omega}$ Nd:YAG laser or an Excimer laser.

The thermal energy beam 40 is scanned in two dimensions across the first surface 21 of the substrate 20 to form the wide

6

bandgap material 10. In this example, the wide bandgap material 10 is shown partially formed within the first surface 21 of the substrate 20 after a partial scan of the thermal energy beam 40 across the first surface 21 of the substrate 20.

The first surface 11 of the wide bandgap material 10 is coincident with the first surface 21 of the substrate 20 with the remainder of the wide bandgap material 10 including the second surface 12 and the peripheral surface 13 being embedded between first and second surfaces 21 and 22 of the substrate 20. It should be emphasized that all material interfaces are not discrete but are continuous or diffuse. Lines are used in the figures to show regions only as a convenience.

The substrate 20 may be formed as a monolith or a thin film substrate having suitable properties for forming the wide bandgap material 10. The non-wide bandgap material 15 has a bandgap equal to or less than two electron volts (2 eV). The wide bandgap material 10 has a bandgap greater than two electron volts (2 eV).

Preferably, the non-wide bandgap material 15 is sensitive to a thermal conversion process for transforming a layer of the non-wide bandgap material 15 into the wide bandgap material 10. In one example, the non-wide bandgap material 15 is selected from the group consisting of a silicon material (Si), a gallium arsenide material (GaAs), an alumina material (Al_2O_3), a silica material (SiO_2). Preferably, the non-wide bandgap material 15 is capable of being transformed from a non-wide bandgap material 15 into the wide bandgap material 10 and is capable of being subsequently transformed into an electrical component or device upon further irradiating by the thermal energy beam 40.

Table 1 contrasts various properties of two popular non-wide bandgap semiconductor materials namely silicon (Si) and gallium arsenide (GaAs) with wide bandgap semiconductors namely silicon carbide (SiC) and diamond.

TABLE 1

Property	Silicon	Gallium Arsenide	6H Silicon Carbide	Diamond
Band Gap	1.12 eV	1.424 eV	3 eV	5.45 eV
Breakdown field	0.3 MV/cm	0.4 MV/cm	3 MV/cm	10 MV/cm
Dielectric constant	11.7	12.9	10	5.5
Thermal Conductivity	130 W/K-cm	55 W/K-cm	500 W/K-cm	2200 W/K-cm
Saturated electron drift velocity	1×10^7 cm/sec	1×10^7 cm/sec	2×10^7 cm/sec	2.7×10^7 cm/sec

Table 1 illustrates the advantageous properties of wide bandgap materials 10. Unfortunately, wide bandgap materials 10 are currently expensive due to high processing costs and poor yields emanating from wafer growth through device packaging. The present invention transforms a layer of the non-wide bandgap material 15 into a wide bandgap material 10 to provide the advantages of the properties of the wide bandgap material 10 with the cost advantages of the non-wide bandgap material 15.

The present invention may utilize a conventional semiconductor material such as silicon (Si) or gallium arsenide (GaAs) as the non-wide bandgap material 15. In the alternative, the present invention may utilize a low cost ceramic material such as alumina (Al_2O_3) or a low cost glass material such as silica (SiO_2).

FIG. 3 is an enlarged sectional view of a first embodiment of the invention illustrating a wide bandgap material 10A formed in the substrate 20A. In this example, the non-wide

bandgap material **15A** of the substrate **20A** is a silicon (Si) material whereas the wide bandgap material **10A** is silicon carbide (SiC).

The silicon (Si) non-wide bandgap material **15A** is converted into the silicon carbide (SiC) wide bandgap material **10A** as the thermal energy beam **40** scans across the first surface **21A** of the substrate **20A**. The thermal energy beam **40** scans across the first surface **21A** of the substrate **20A** in an atmosphere of methane gas or acetylene gas. The thermal energy beam **40** heats the silicon atoms of the non-wide bandgap material **15A**. The heated silicon atoms of the non-wide bandgap material **15A** react with the carbon atoms of the methane gas or acetylene gas atmosphere to create the silicon carbide (SiC) wide bandgap material **10A**.

FIG. **4** is an enlarged sectional view of a second embodiment of the invention illustrating a wide bandgap material **10B** formed in the substrate **20B**. In this example, the non-wide bandgap material **15B** of the substrate **20B** is aluminum oxide (Al₂O₃) material whereas the wide bandgap material **10B** is aluminum nitride (AlN).

The aluminum oxide (Al₂O₃) non-wide bandgap material **15B** is converted into the aluminum nitride (AlN) wide bandgap material **10B** as the thermal energy beam **40** scans across the first surface **21B** of the substrate **20B**. The thermal energy beam **40** scans across the first surface **21B** of the substrate **20B** in an atmosphere of nitrogen to create the aluminum nitride (AlN).

Gallium arsenide (GaAs) non-wide bandgap material (thermal conductivity **55** W/m-K) is converted to gallium nitride (GaN) wide bandgap material (thermal conductivity **130** W/m-K) by this method shown for converting aluminum oxide to aluminum nitride.

Typically, the formation of aluminum nitride (AlN) is not chemical and thermodynamically feasible because of the preferred affinity of aluminum for oxygen. A reacting getter such as source of heated carbon is used to remove the oxygen from reacting with the aluminum since oxygen has preferred reactions with carbon. The carbon can be a solid source or a gaseous source such as methane or acetylene. With the gaseous carbon sources the thermal energy beam **40** would be conducted under a mixed atmosphere of methane and nitrogen in simultaneous or subsequent steps.

The thermal carbon process described above or a similar process is used only when the chemistry of the existing substrate is more stable than that of the desired or new substrate surface composition. Once the oxygen is removed, the surface **21B** of the substrate **20B** can be scanned with the thermal energy beam **40** in the presence of a doping nitrogen gas to create aluminum nitride (AlN). Subsequently, the aluminum nitride (AlN) wide bandgap material **10B** may be converted to semiconductors and conductors, or other device in accordance with the teaching of my previously mentioned U.S. Patents.

FIG. **5** is an enlarged sectional view of a third embodiment of the invention illustrating a wide bandgap material **10C** formed in the substrate **20C**. In this example, the non-wide bandgap material **15C** of the substrate **20C** is a silica (SiO₂) material whereas the wide bandgap material **10C** is silicon carbide (SiC).

The silica (SiO₂) non-wide bandgap material **15C** is converted into the silicon carbide (SiC) wide bandgap material **10C** as the thermal energy beam **40** scans across the first surface **21C** of the substrate **20C**. The thermal energy beam **40** scans across the first surface **21C** of the substrate **20C** in an atmosphere of methane gas or acetylene gas. The thermal energy beam **40** heats the silicon atoms of the non-wide bandgap material **15C**. The heated silicon atoms of the non-

wide bandgap material **15C** react with the carbon atoms of the methane gas or acetylene gas atmosphere to create the silicon carbide (SiC) wide bandgap material **10C**.

FIG. **6** is an enlarged sectional view of a fourth embodiment of the invention illustrating a component **50D** defined in a wide bandgap material **10D** formed in the substrate **20D**. In this example, the component **50D** is a diamond like carbon material (DLC) formed in the silicon carbide (SiC) wide bandgap material **10D** defined in a silicon (Si) non-wide bandgap material **15D**. The silicon (Si) non-wide bandgap material **15D** is converted into the silicon carbide (SiC) wide bandgap material **10D** as the thermal energy beam **40** scans across the first surface **21D** of the substrate **20D** as set forth with reference to FIG. **3**.

After the silicon (Si) non-wide bandgap material **15D** is converted into the silicon carbide (SiC) wide bandgap material **10D**, the silicon carbide (SiC) is converted into the diamond like carbon material (DLC) by selectively removing silicon atoms to create vacancies. The vacancies are then filled with carbon creating the diamond like carbon material (DLC). The thermal energy beam **40** irradiation of the SiC region in a CO/CO₂ containing atmosphere diffuses silicon to the surface where the silicon reacts with CO₂ to form SiO gas. An increased number of vacancies are left behind in the lattice.

An excimer laser (50 mJ/pulse, 10 Hz pulse repetition rate, 60 pulses, 193 nm wavelength, 20 ns pulse time, CO (partial pressure)/CO₂ (partial pressure)=5×10⁴) creates the temperature range 2000-2300° C. necessary to energize silicon (Si) self diffusion in silicon carbide (SiC). Carbon is then diffused into the substrate to fill the vacancies by laser irradiation, for example by (Nd:YAG, excimer etc.) in a methane or acetylene atmosphere to dissociate the hydrocarbon and drive (diffuse) atomic carbon into the silicon carbide (SiC) and if necessary orient or recrystallize the crystal structure.

FIG. **7** is an enlarged isometric view of a fifth embodiment of the invention illustrating a semiconductor device **50E** defined in the wide bandgap material **10E** formed in the substrate **20E**. The semiconductor device **50E** may be one or more of a variety of devices such as an active or passive electrical device, a photonic device, an optical device, a sensor device, a spintronic device or any other suitable semiconductor device. In this example, the semiconductor device **50E** is shown as a first semiconductor device **51E** and a second semiconductor device **52E**.

FIG. **8** is a sectional view along line **8-8** in FIG. **7** illustrating the first semiconductor device **51E** of FIG. **7**. The first semiconductor device **51E** is defined in the wide bandgap material **10E**. The first semiconductor device **51E** is connected by an electrode **61E** to a first conductor **71E**. An electrode **62E** connects the first semiconductor device **51E** to a connector **73E**.

FIG. **9** is a sectional view along line **9-9** in FIG. **7** illustrating the second semiconductor device **52E** of FIG. **7**. The second semiconductor device **52E** is defined in the wide bandgap material **10E**. The second semiconductor device **52E** is connected by an electrode **63E** to a second conductor **72E**. An electrode **64E** connects the second semiconductor device **52E** to the connector **73E**.

Preferably, the first and/or second semiconductor device **51E** and **52E** are formed in the wide bandgap material **10E** by scanning the thermal energy beam **40** across selected portions of the wide bandgap material **10E** in the presence of a doping atmosphere to form the first and/or second semiconductor device **51E** and **52E**. In the alternative, the first and/or second semiconductor device **51E** and **52E** may be formed in a conventional manner as should be well known in the art.

FIG. 10 is an enlarged isometric view of a sixth embodiment of the invention illustrating a first semiconductor device 51F defined in the wide bandgap material 10F and a second semiconductor device 52F defined in the non-wide bandgap material 15F.

FIG. 11 is a sectional view along line 11-11 in FIG. 10 illustrating the first semiconductor device 51F of FIG. 10. The first semiconductor device 51F is defined in the wide bandgap material 10F. The first semiconductor device 51F is connected by an electrode 61F to a first conductor 71F. An electrode 62F connects the first semiconductor device 51F to a connector 73F. The first semiconductor device 51F may be one or more of a variety of devices such as an active or passive electrical device, a photonic device, an optical device, a sensor device, a spintronic device or any other suitable semiconductor device.

Preferably, the first semiconductor device 51F is formed in the wide bandgap material 10F by scanning the thermal energy beam 40 across selected portions of the wide bandgap material 10F in the presence of a doping atmosphere to form the first semiconductor device 51F. In the alternative, the first semiconductor device 51F may be formed in a conventional manner as should be well known in the art.

FIG. 12 is a sectional view along line 12-12 in FIG. 10 illustrating the second semiconductor device 52F of FIG. 10. The second semiconductor device 52F is defined in the non-wide bandgap material 15F. The second semiconductor device 52F is connected by an electrode 63F to a second conductor 72F. An electrode 64F connects the second semiconductor device 52F to the connector 73F.

Preferably, the second semiconductor device 52F is formed in the non-wide bandgap material 15F in a conventional manner as should be well known in the art. In the alternative, the second semiconductor device 52F may be formed by scanning the thermal energy beam 40 across selected portions of the non-wide bandgap material 15F in the presence of a doping atmosphere to form the second semiconductor device 52F.

The thermal energy beam 40 conversion and doping technology can be applied to the fabrication of conductors, different semiconductor and insulator phases in silicon carbide (SiC). Conductors can be fabricated by doping titanium into silicon carbide (SiC) by laser scanning in a titanium tetrachloride, or other titanium metallo-organic gas atmosphere. Different semiconductor phases can be created by scanning a material with the thermal energy beam 40 in an atmosphere of nitrogen (n-type), phosphine (n-type) or di-borane (p-type), trimethylaluminum (p-type) etc. Insulators can be created by scanning a material with the thermal energy beam 40 in an atmosphere of oxygen.

FIG. 13 is an enlarged isometric view of a seventh embodiment of the invention illustrating a substrate 20G of a wide bandgap material 10G. The substrate 20G defines a first and a second surface 21G and 22G and a peripheral edge 23G.

The substrate 20G is formed of a wide bandgap material 10G having a bandgap greater than two electron volts (2 eV). The wide bandgap material 10G is selected from the group consisting of a silicon carbide, aluminum nitride, boron nitride, gallium nitride and diamond, and diamond-like-carbon. In this example, the wide bandgap material 10G is shown as a low crystalline quality silicon carbide material.

The substrate 20G includes crystalline defects (not shown) within the wide bandgap material 10G. The crystalline defects in the wide bandgap material 10G may include numerous defects such as crystal lattice vacancies, substituted atoms, dislocations, stacking faults, micropipes and the like. The substrate 20G may be representative of commer-

cially available wafers of wide bandgap material 10G that is not of sufficient crystalline quality for use as a defect free intrinsic semiconductor material. These defects may be detected by resistivity measurements; chemical analysis including secondary ion mass spectroscopy and energy dispersive spectra as well as high resolution transmission electron spectroscopy.

FIG. 14 illustrates the process of forming a high crystalline quality layer 50G within the substrate 20G of FIG. 13. The high crystalline quality layer 50G is referred to as an endotaxial layer within the present detailed discussion. The high crystalline quality layer 50G endotaxial layer (endolayer) is an intrinsic semiconductor layer containing reduced defects, impurities and carrier concentrations compared to the substrate 20G (parent wafer) of the wide bandgap material 10G having the crystalline defects.

A doping gas is applied to the first surface 21G of the substrate 20G within the air-tight chamber 30G shown in FIG. 1. The doping gas has at least one element common to the wide bandgap material 10G. The one example, the doping gas is selected from the group consisting of silane, methane, acetylene, trimethylaluminum, nitrogen, diborane and triethyl gallium.

TABLE 2 list a number of examples of wide bandgap materials an appropriate doping gases for donating atoms to the crystalline defective wide bandgap material 10G to form the high crystalline quality layer 50G.

TABLE 2

Wide Bandgap Material	Heavy Mass Atom (HMA)	Light Mass Atom (LMA)	Doping Gas (HMA)	Doping Gas (LMA)
Silicon Carbide	silicon	carbon	silane	Methane
Aluminum Nitride	Aluminum	Nitrogen	Tri-methylaluminum Nitrogen	acetylene Nitrogen
Boron Nitride	Nitrogen	Boron	Nitrogen	Diborane
Gallium Nitride	Gallium	Nitrogen	Triethyl gallium	Nitrogen
Diamond	Carbon	Carbon	Methane acetylene	Methane acetylene

The metal-organics gases such as silane, trimethylaluminum, diborane and triethyl gallium may be used as a doping gas for the heavy mass atom (HMA) of Table 2. Typically the light mass atoms (LMA) are more mobile and have a higher diffusion coefficient than the heavy mass atoms (HMA). Most crystalline defects (not shown) within the wide bandgap material 10G will be corrected through the use of the doping gas for the light mass atom (LMA).

In the example of a substrate 20G formed from silicon carbide (n-type 6H—SiC with a nitrogen concentration of 5×10^{18} atoms/cm³) 10G. Carbon atoms (C) are inserted using methane (CHO, acetylene (C₂H₂) and other carbon sources. Similarly silicon atoms (Si) are inserted into the silicon carbide lattice using silane (SiH₄) or other metal-organic compound gas/vapor precursors.

The thermal energy beam 40G is scanned in two dimensions as indicated by the arrows 17G across the first surface 21G of the substrate 20G in the presence of the doping gas to form the high crystalline quality layer 50G within the substrate 20G. In this example, the high crystalline quality layer 50G is shown partially formed within the substrate 20G adjacent to the first surface 21G of the substrate 20G.

The thermal energy beam 40G is selected from the group consisting of a beam of charged particles, a beam of electrons, a beam of ions and a beam of electromagnetic radiation. In this example, the thermal energy beam 40G is shown as a laser beam. The thermal energy beam 40G continues to scan in two dimensions as indicated by the arrows 17G until the entire first surface 21G of the substrate 20G is converted into the high crystalline quality layer 50G.

TABLE 3 lists the operating parameters for a krypton fluoride (KrF) excimer laser and an argon fluoride (ArF) excimer laser for forming the high crystalline quality layer 50G in a substrate 20G of silicon carbide 10G.

TABLE 3

Laser Type	KrF Excimer	ArF Excimer
Wavelength (nm)	248	193
Pulse Energy (mJ)	45	40
Laser Fluence (J/cm ²)	1.5	0.8
Pulse Repetition Rate (kHz)	1.0	1.0
Number of Pulses	600	600
Beam Area (cm ²)	0.1 × 0.3	0.2 × 0.25
Scanning Plane (mm/s)	X - Y (surface)	
Atmosphere	Methane at 30 psi	

The krypton fluoride (KrF) excimer laser has a high photo energy of 5.0 eV whereas the argon fluoride (ArF) excimer laser has a high photo energy of 6.4 eV. The high photo energy of either the krypton fluoride (KrF) excimer laser or the argon fluoride (ArF) excimer laser breaks the methane C—H bond (bond energy of 4.31 eV) and incorporates carbon atoms into the first surface 21G of the silicon carbide substrate 20G.

The high crystalline quality layer 50G defines a first and a second surface 51G and 52G and a peripheral edge 53G. The first surface 51G of the high crystalline quality layer 50G is coincident with the first surface 51G of the substrate 20G with the remainder of the high crystalline quality layer 50G being embedded within the substrate 20G between first and second surfaces 21G and 22G of the substrate 20G. The high crystalline quality layer 50G embedded within the substrate 20G provides a region suitable for use and processing as a defect free intrinsic wide bandgap semiconductor. It should be appreciated that the line interface separating the wide bandgap material 10G and the high crystalline quality layer 50G is for illustration purposes and the actual interface between the wide bandgap material 10G and the high crystalline quality layer 50G is a continuous or a diffuse interface.

The thermal energy beam 40G irradiates the substrate 20G in the presence of the doping gas to form the high crystalline quality layer 50G within the substrate 20G. One or more mechanisms may be present in the creating of the high crystalline quality layer 50G. In the example of a silicon carbide material (n-type 6H—SiC with a nitrogen concentration of 5×10^{18} atoms/cm³), one or more mechanisms may be present in the creating of the high crystalline quality layer 50G.

Firstly, impurity atoms such as nitrogen effuse (diffuse out as a gas) from the vacancy sites and lattice to the surface driven by the thermal energy beam. Secondly, carbon atoms are dissociated from a source such as methane by both pyrolytic and/or photolytic decomposition and diffuse, driven by the thermal energy beam into the substrate 20G. Thirdly, carbon atoms diffuse into vacancy sites to create intrinsic semiconductor bonds with silicon. The solid state diffusion and redistribution of atoms into the crystalline structure is driven by the thermal energy beam. Fourthly, the thermal energy beam removes all dislocations, stacking faults and micropipes from the region by annealing the area. Fifthly, a

continuous or diffuse boundary between the substrate 20G and the high crystalline quality layer 50G behaves as a buffer preventing the re-introduction of mobile defects into the high crystalline quality layer 50G (endolayer).

The high crystalline quality layer 50G has uniform crystallographic orientation, uniform stoichiometry, high purity, approaching intrinsic semiconductor properties. The high crystalline quality layer 50G has a low defect density layer within a bulk grown single crystalline.

FIG. 15 is an enlarged sectional view along line 15-15 of the substrate 20G in FIG. 13 rotated ninety degrees counterclockwise. The substrate 20G been rotated ninety degrees counterclockwise for the comparison with the graph shown in FIG. 17. The substrate 20G includes crystalline defects (not shown) within the wide bandgap material 10G.

FIG. 16 is an enlarged sectional view along line 16-16 of the substrate 20G and the high crystalline quality layer 50G in FIG. 14 rotated ninety degrees counterclockwise. The substrate 20G and the high crystalline quality layer 50G has been rotated ninety degrees counterclockwise for the comparison with the graph shown in FIG. 16.

FIG. 17 is a graph 61G of the energy dispersive spectra analysis of the silicon carbide substrate 20G of FIG. 15 and a graph 62G of the energy dispersive spectra analysis of the silicon carbide substrate 20G and the high crystalline quality layer (endolayer) of FIG. 16. Actual sample cross-sections as illustrated in FIGS. 15 and 16 were prepared by an FEI 200 TEM Focused Ion Beam (FIB). Transmission electron microscopy (TEM) studies were conducted using a FEI Tecnai F30 TEM using x-ray energy dispersive spectrometry (EDS) for carbon atomic analysis along the cross-section of the samples shown in FIGS. 15 and 16. The x-ray energy dispersive spectrometry (EDS) yields a carbon depth profile from the first surface 21G along a perpendicular depth into the substrate 20G.

The carbon concentrations at the near surface region along the cross-sections of the silicon carbide substrate 20G of FIG. 15 and the silicon carbide substrate 20G and the high crystalline quality layer (endolayer) of FIG. 16 are shown in FIG. 17.

Graph 61G illustrates a nearly constant carbon concentration in the silicon carbide substrate 20G of FIG. 15. Graph 62G illustrates a carbon-rich region in the silicon carbide substrate 20G and the high crystalline quality layer (endolayer) of FIG. 16. The carbon-rich region is bounded between two vertical dashed lines in FIG. 17, at the depths of 65 and 163 nm. It appears the high crystalline quality layer (endolayer) of FIG. 16 can be considered to be about 100 nm thick. The deep diffusion capability of the present invention allows location of the high crystalline quality layer (endolayer) of FIG. 16 at various depths within the substrate 20G enables the fabrication of embedded devices.

The thermal energy beam heats the silicon carbide substrate 20G only at the location of the high crystalline quality layer (endolayer) 50G. Aligned and random Rutherford Back-Scattering (RBS) channeling spectra of the silicon carbide substrate 20G of FIG. 15 and the silicon carbide substrate 20G and the high crystalline quality layer (endolayer) of FIG. 16 indicate that the process of the present invention does not induce damage to the underlying silicon carbide substrate 20G. In contrast, the process of forming an epitaxy layer heats the entire substrate. The heats the entire substrate is undesirable and may result in damage to the substrate.

TABLE 4 lists the resistivity of a silicon carbide substrate 20G having crystalline defects and the resistivity of the high crystalline quality layer 50G compared with the resistivity of intrinsic (pure) silicon.

TABLE 4

Samples	Resistivity ρ (Ωcm)
Silicon Carbide Substrate With Crystalline Defects	1.55
Endotaxial Layer	1.1×10^5
High Crystalline Quality Layer Silicon Single Crystal Intrinsic (pure)	2.3×10^5

The resistivity of the silicon carbide high crystalline quality layer (endotaxial layer) **50G** is $1.1 \times 10^5 \Omega\text{cm}$, above the resistivity $10^4 \Omega\text{cm}$ needed for semiconductor device isolation and high voltage blocking. A n-type semiconductor material may be formed in the silicon carbide high crystalline quality layer (endotaxial layer) **50H** by further laser irradiation in the presence of nitrogen dope gas. A p-type semiconductor material may be formed in the silicon carbide high crystalline quality layer (endotaxial layer) **50H** by further laser irradiation in the presence of a trimethylaluminum vapor.

FIG. **18** is an enlarged isometric view of an eighth embodiment of the invention illustrating further processing of the high crystalline quality layer (endotaxial layer) **50H** of the substrate **20H**. In another example, the further processing of the high crystalline quality layer (endotaxial layer) **50H** creates semiconductor devices **71H** and **72H** defined in the high crystalline quality layer **50H** formed in the substrate **20H**. The semiconductor devices **71H** and **72H** may be one or more of a variety of devices such as an active or passive electrical device, a photonic device, an optical device, a sensor device, a spintronic device or any other suitable semiconductor device. Preferably, the semiconductor device **71E** and **72E** are formed in the high crystalline quality layer **50H** by scanning the thermal energy beam **40** across selected portions of the high crystalline quality layer **50H** in the presence of a doping atmosphere to form the semiconductor device **71H** and **72H**. In the alternative, the semiconductor device **71H** and **72H** may be formed in a conventional manner as should be well known in the art.

The formation of the semiconductor devices **71H** and **72H** in the high crystalline quality layer **50H** provides many advantages over the prior art. The formation of the semiconductor devices **71H** and **72H** in the high crystalline quality layer **50H** eliminates parasitic electronic effects as well as improves thermal conductivity thus enabling the creation of more devices per unit volume. The formation of the semiconductor devices **71H** and **72H** in the high crystalline quality layer **50H** eliminates impurities, micropipes and other defects that result in poor device performance.

The present invention provides an apparatus and method for forming a high crystalline quality layer (endolayer) within a wide bandgap substrate. The high crystalline quality layer (endolayer) is formed in situ to be integral within the wide bandgap substrate. The high crystalline quality layer (endolayer) is suitable for use as a defect free intrinsic semiconductor material. A semiconductor component may be fabricated within the high crystalline quality layer (endolayer) by a laser synthesis process or a conventional process.

The present disclosure includes that contained in the appended claims as well as that of the foregoing description. Although this invention has been described in its preferred form with a certain degree of particularity, it is understood

that the present disclosure of the preferred form has been made only by way of example and that numerous changes in the details of construction and the combination and arrangement of parts may be resorted to without departing from the spirit and scope of the invention.

What is claimed is:

1. A method of reducing crystalline defects within an internal region of a silicon carbide wide bandgap semiconductor to form a high crystalline quality internal region comprising:

10 providing a silicon carbide material having crystalline vacancies containing nitrogen impurity defined between a first outer surface and a second inner substrate surface; irradiating the first outer surface of the silicon carbide wide bandgap semiconductor with an ultraviolet laser to effuse nitrogen from vacancies in the silicon carbide wide bandgap semiconductor;

15 applying a doping gas having a carbon-hydrogen (C—H) bond; and

20 continuing irradiation by the ultraviolet laser for photolytically decomposing carbon-hydrogen (C—H) bond to produce free carbon atoms from the doping gas to diffuse the carbon atoms into the vacancies in the silicon carbide wide bandgap semiconductor;

25 further irradiating the silicon carbide wide bandgap semiconductor to anneal the silicon carbide wide bandgap semiconductor to remove dislocations, stacking faults and micropipes; and

30 continuing irradiating the silicon carbide wide bandgap semiconductor to create a continuous or diffuse boundary to prevent the re-introduction of mobile defects.

2. A method of reducing crystalline defects within an internal region of a silicon carbide wide bandgap semiconductor as set forth in claim **1**, wherein the laser is selected from the group consisting of KrF or ArF excimer laser.

35 **3.** A method of reducing crystalline defects within an internal region of a silicon carbide wide bandgap semiconductor as set forth in claim **1**, wherein laser has a high photo energy greater than 4.31 eV.

40 **4.** A method of reducing crystalline defects within an internal region of a silicon carbide wide bandgap semiconductor as set forth in claim **1**, wherein laser has a pulse energy of 40 mJ or greater.

45 **5.** A method of reducing crystalline defects within an internal region of a silicon carbide wide bandgap semiconductor as set forth in claim **1**, wherein laser has a fluence of 800 mJ/cm² or greater.

50 **6.** A method of reducing crystalline defects within an internal region of a silicon carbide wide bandgap semiconductor as set forth in claim **1**, wherein laser has a fluence of 800 mJ/cm² or greater.

55 **7.** A method of reducing crystalline defects within an internal region of a silicon carbide wide bandgap semiconductor as set forth in claim **1**, wherein laser has a number on the order of 600 pulses.

8. A method of reducing crystalline defects within an internal region of a silicon carbide wide bandgap semiconductor as set forth in claim **1**, wherein an internal region of the silicon carbide wide bandgap semiconductor having a resistivity on the order of 100000 ohm-cm is fabricated with the defective silicon carbide wide bandgap semiconductor having a resistivity on the order of 1.5 ohm-cm.

* * * * *