

Head Mounted Display with Curved Display Screen, Curved Tunable Focus Liquid Crystal Micro-Lens and First and Second Curved Black Masks Corresponding independently to One of the Right and Left Eye

2-23-2010

Shin-Tson Wu

University of Central Florida

Qi Hong

University of Central Florida

Ruibo Lu

University of Central Florida

Xinzhang Wu

University of Central Florida

Find similar works at: <https://stars.library.ucf.edu/patents>

University of Central Florida Libraries <http://library.ucf.edu>

Recommended Citation

Wu, Shin-Tson; Hong, Qi; Lu, Ruibo; and Wu, Xinzhang, "Head Mounted Display with Curved Display Screen, Curved Tunable Focus Liquid Crystal Micro-Lens and First and Second Curved Black Masks Corresponding independently to One of the Right and Left Eye" (2010). *UCF Patents*. 212.

<https://stars.library.ucf.edu/patents/212>

This Patent is brought to you for free and open access by the Technology Transfer at STARS. It has been accepted for inclusion in UCF Patents by an authorized administrator of STARS. For more information, please contact lee.dotson@ucf.edu.

(12) **United States Patent**
Hong et al.

(10) **Patent No.:** **US 7,667,783 B2**
(45) **Date of Patent:** **Feb. 23, 2010**

(54) **HEAD MOUNTED DISPLAY WITH CURVED DISPLAY SCREEN, CURVED TUNABLE FOCUS LIQUID CRYSTAL MICRO-LENS AND FIRST AND SECOND CURVED BLACK MASKS CORRESPONDING INDEPENDENTLY TO ONE OF THE RIGHT AND THE LEFT EYE**

(75) Inventors: **Qi Hong**, Orlando, FL (US); **Ruibo Lu**, Orlando, FL (US); **Thomas Xinzhang Wu**, Oviedo, FL (US); **Shin-Tson Wu**, Oviedo, FL (US)

(73) Assignees: **University of Central Florida Research Foundation, Inc.**, Orlando, FL (US); **Toppoly Optoelectronics Corp.**, Miao-Li County (TW)

(*) Notice: Subject to any disclaimer, the term of this patent is extended or adjusted under 35 U.S.C. 154(b) by 308 days.

(21) Appl. No.: **11/809,531**

(22) Filed: **Jun. 1, 2007**

(65) **Prior Publication Data**
US 2008/0049152 A1 Feb. 28, 2008

Related U.S. Application Data
(62) Division of application No. 11/266,612, filed on Nov. 3, 2005, now Pat. No. 7,486,341.

(51) **Int. Cl.**
G02F 1/1335 (2006.01)

(52) **U.S. Cl.** **349/11; 349/13; 349/15; 349/95; 349/110**

(58) **Field of Classification Search** 349/11, 349/13, 15, 95, 110, 111
See application file for complete search history.

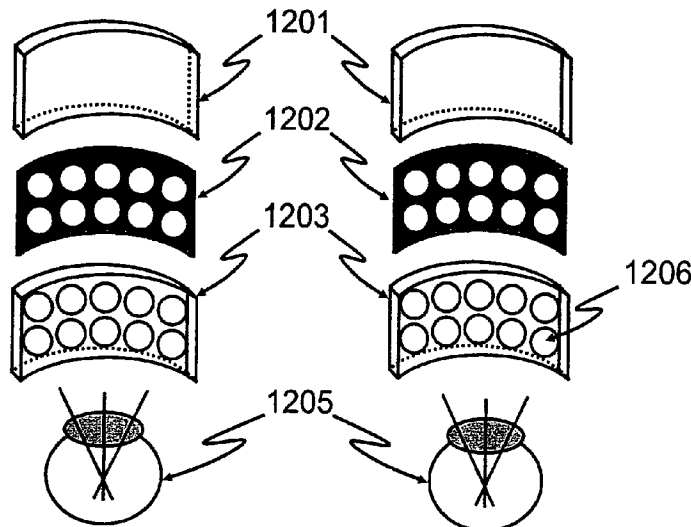
(56) **References Cited**
U.S. PATENT DOCUMENTS
4,130,832 A 12/1978 Sher 358/89
5,355,181 A 10/1994 Ashizaki et al. 348/744
(Continued)

OTHER PUBLICATIONS
Hongwen Ren, Yun-Hsin Fan, Sebastian Gauza, Shin-Tson Wu, "Tunable Microlens Arrays Using Polymer Network Liquid Crystal", Optics Communicaitons, vol. 230 (2004) pp. 267-271, Nov. 13, 2003, www.sciencedirect.com.
(Continued)

Primary Examiner—John Heyman
(74) *Attorney, Agent, or Firm*—Brian S. Steinberger; Phyllis K. Wood; Law Offices of Brian S. Steinberger, P.A.

(57) **ABSTRACT**
Systems, methods, apparatus and devices for head mounted stereoscopic 3-D display devices using the tunable focus liquid crystal micro-lens array eye to produce eye accommodation information. A liquid crystal display panel displays stereoscopic images and uses tunable liquid crystal micro-lens array to change the diopter of the display pixels to provide eye accommodation information. The head mounted display device includes a planar display screen, planar tunable liquid crystal micro-lens array and planar black mask. The display device may optionally include a bias lens. In an embodiment, the display device also includes a backlight and a prism sheet for displaying the images on the display screen. The display screen, tunable liquid crystal micro-lens array, black mask and optional backlight and prism may be flat or curved.

9 Claims, 17 Drawing Sheets



U.S. PATENT DOCUMENTS

5,499,138	A	3/1996	Iba	359/569
5,506,705	A	4/1996	Yamamoto et al.	349/64
5,666,174	A	9/1997	Cupolo, III	349/64
6,712,471	B1 *	3/2004	Travis et al.	353/7
6,714,174	B2	3/2004	Suyama et al.	345/32
6,809,786	B2	10/2004	Lee	349/115
2002/0123175	A1	9/2002	Yamazaki et al.	438/149
2002/0186339	A1	12/2002	Hirakata et al.	349/141
2004/0150758	A1	8/2004	Tomono	349/11
2004/0212550	A1	10/2004	He	349/6
2004/0246391	A1	12/2004	Travis	

OTHER PUBLICATIONS

Hongwen Re, Yun-Hsing Fan, Sebastian Gauza, Shin-Tson Wu, "Tunable-focus Flat Liquid Crystal Spherical Lens," Applied Physics Letters, vol. 8, No. 23, Jun. 7, 2004 pp. 4789-4791, <http://apl.aip.org/apl/copyright.jsp>.

Yi-Hsin Lin, Hongwen Ren, Huan-Hsu Fan-Chiang, Wing-Kit Choi, Sebastian Gauza, Xinyu Zhu and Shin-Tson Wu, "Tunable-Focus Cylindrical Liquid Crystal Lenses," Japanese Journal of Applied Physics, vol. 44, No. 1A, (2005), pp. 243-244.

Hongwen Ren, Yun-Hsing Fan, Sebastian Gauza, Shin-Tson Wu, "Tunable-focus Flat Liquid Crystal Spherical Lens," Applied Physics Letters, vol. 84 No. 23, Jun. 7, 2004 pp. 4789-4791, <http://apl.aip.org/apl/copyright.jsp>.

* cited by examiner

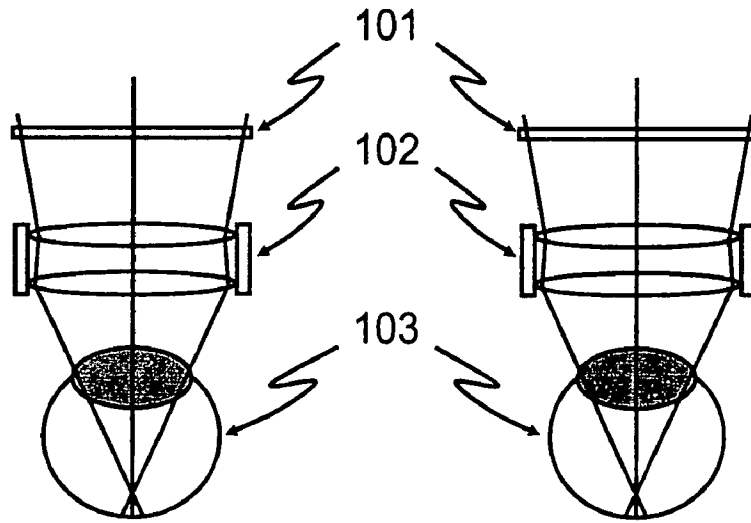


FIG. 1 PRIOR ART

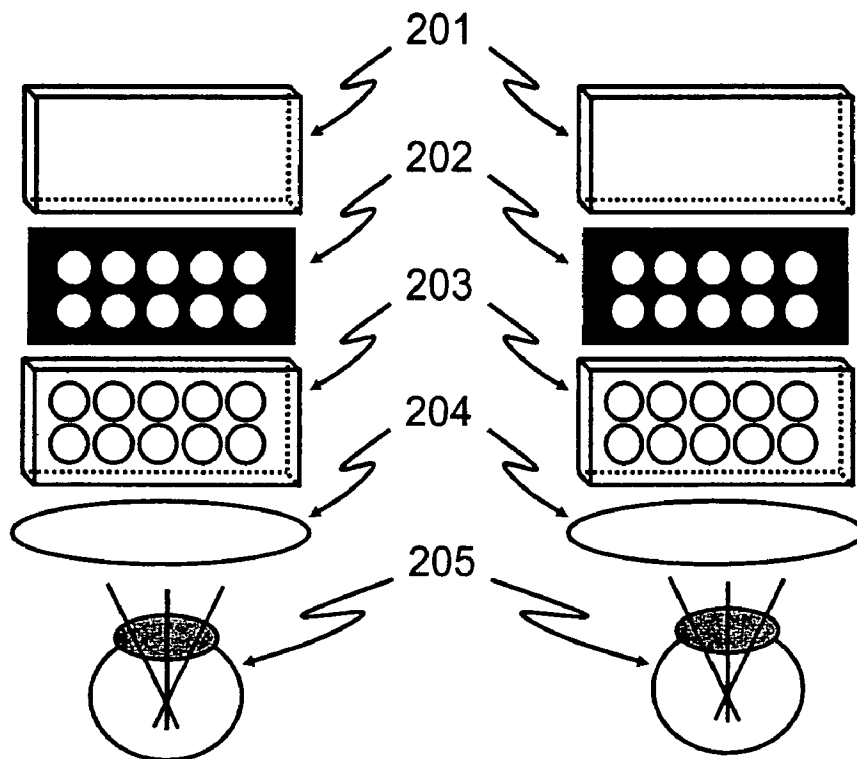


FIG. 2

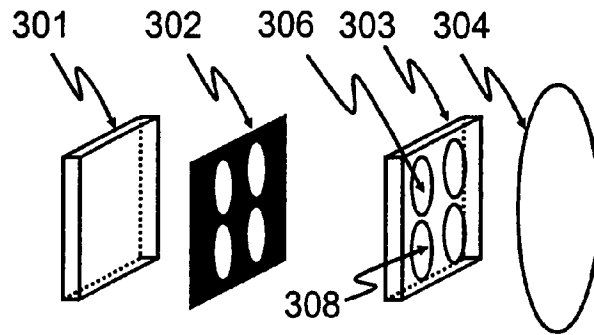


FIG. 3a

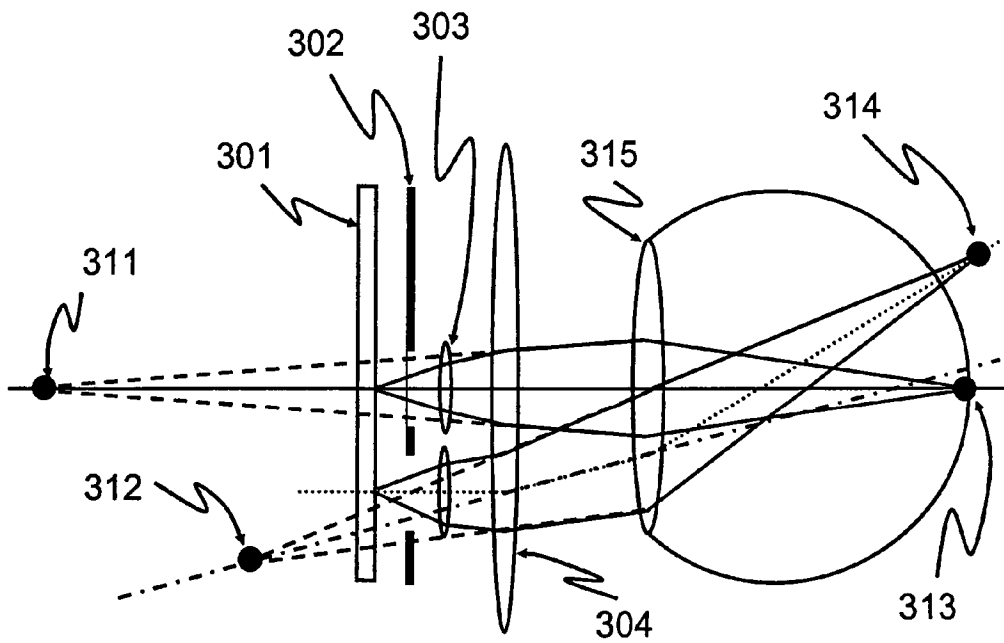


FIG. 3b

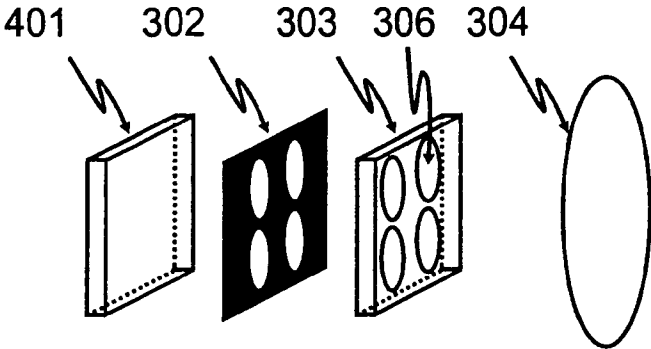


FIG. 4(a)

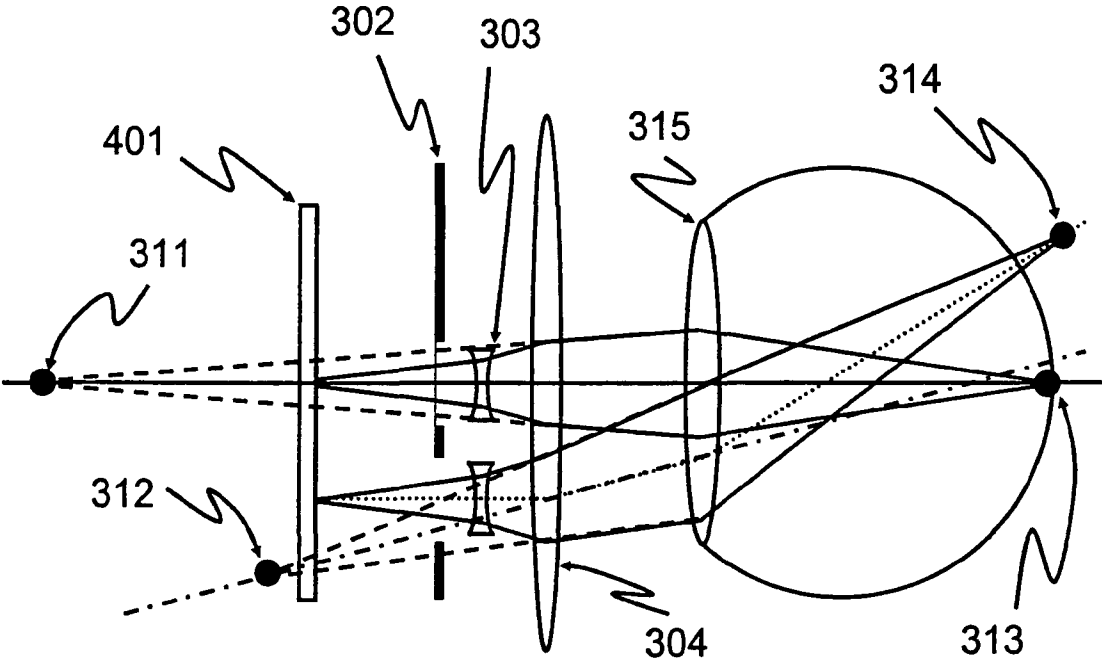


FIG. 4(b)

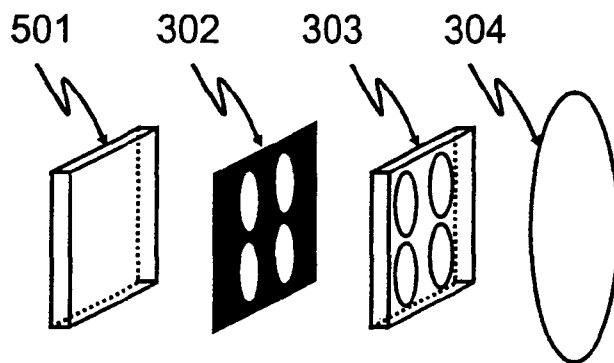


FIG. 5(a)

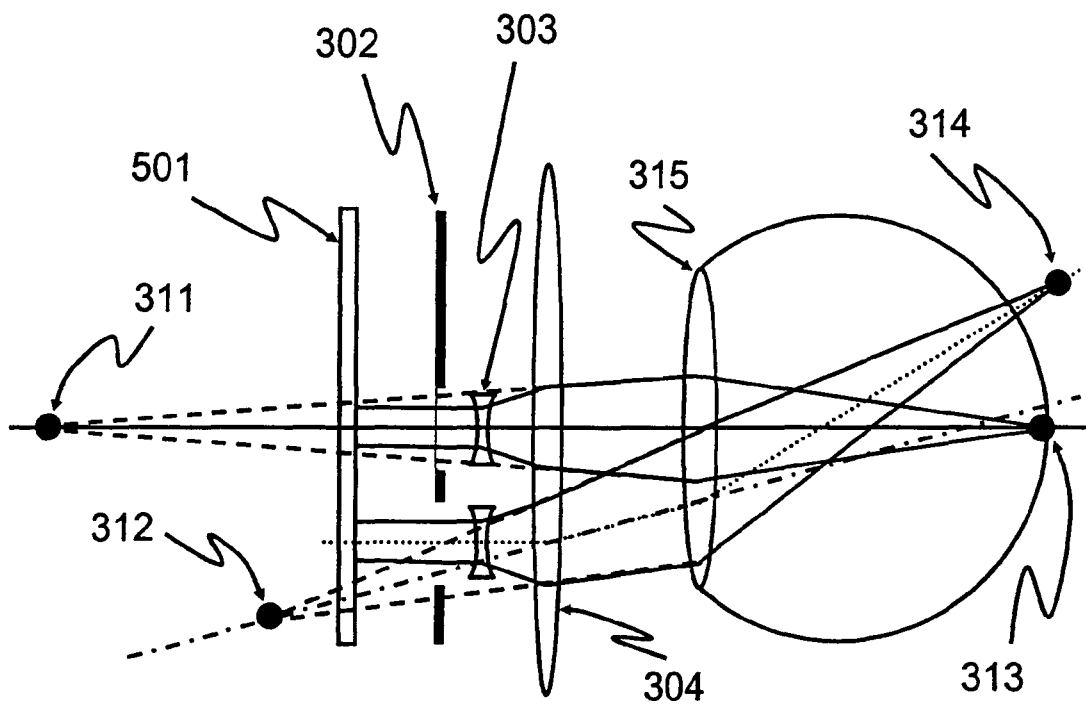


FIG. 5(b)

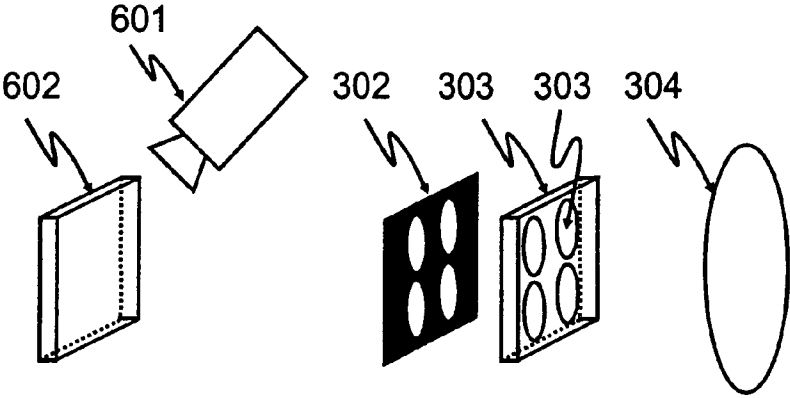


FIG. 6(a)

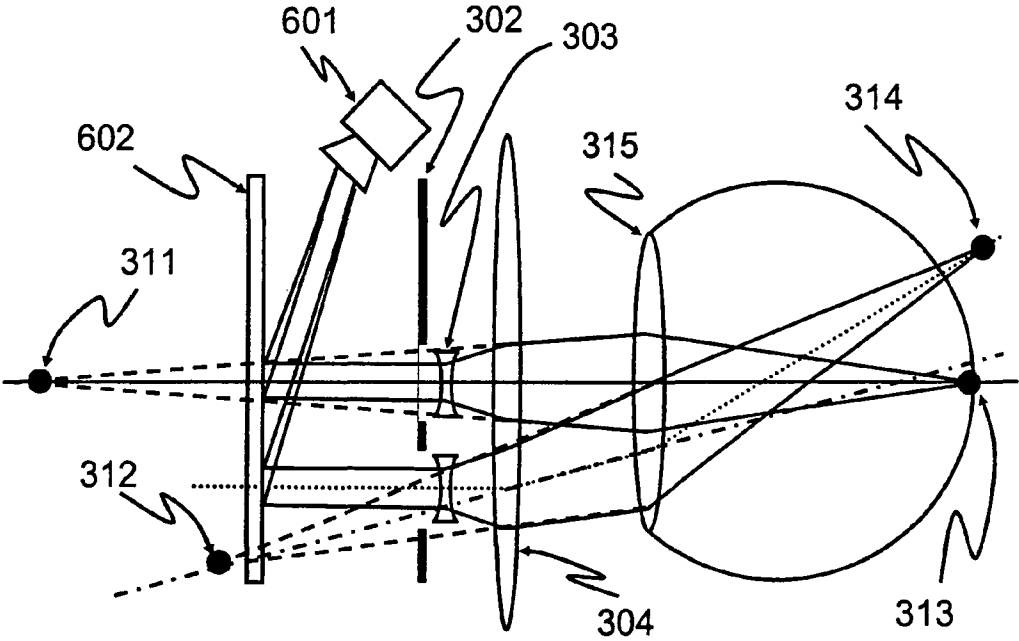


FIG. 6(b)

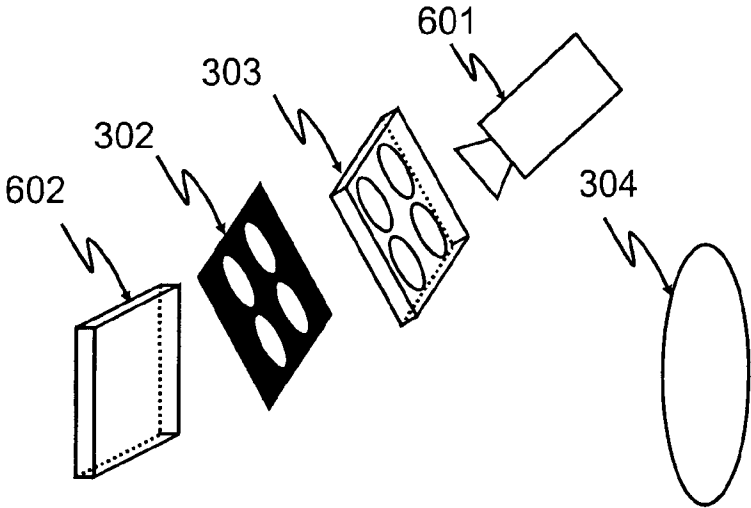


FIG. 6(c)

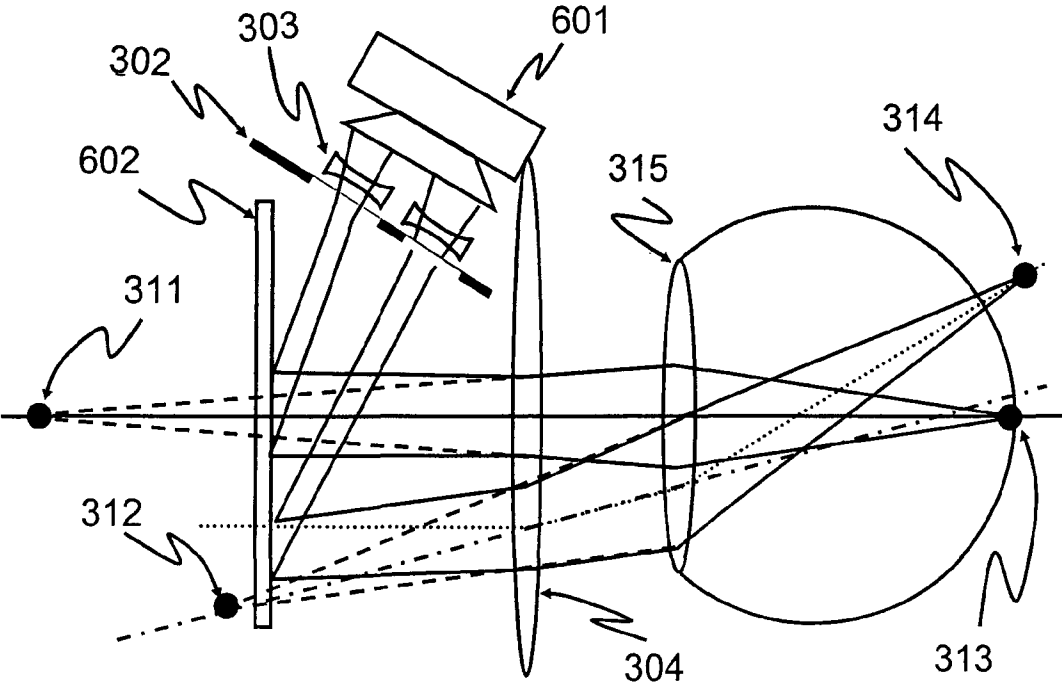


FIG. 6(d)

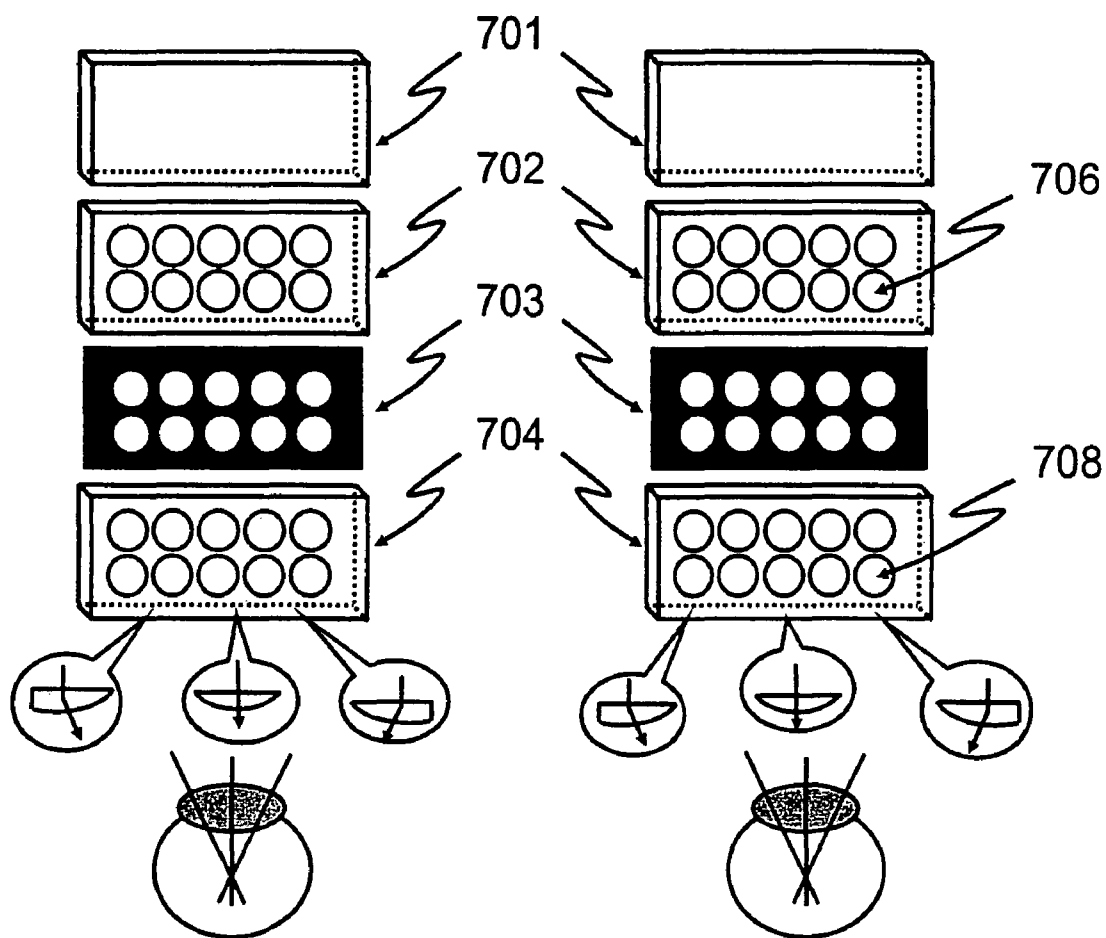


FIG. 7

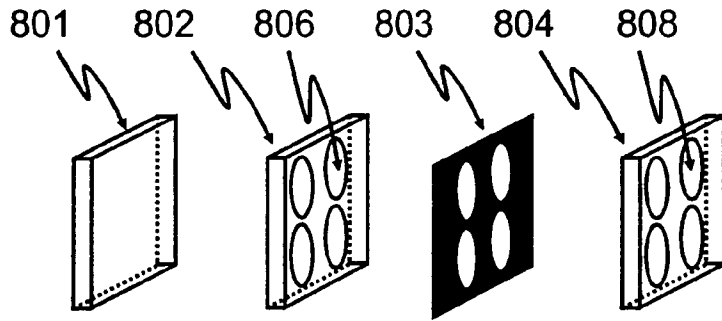


FIG. 8(a)

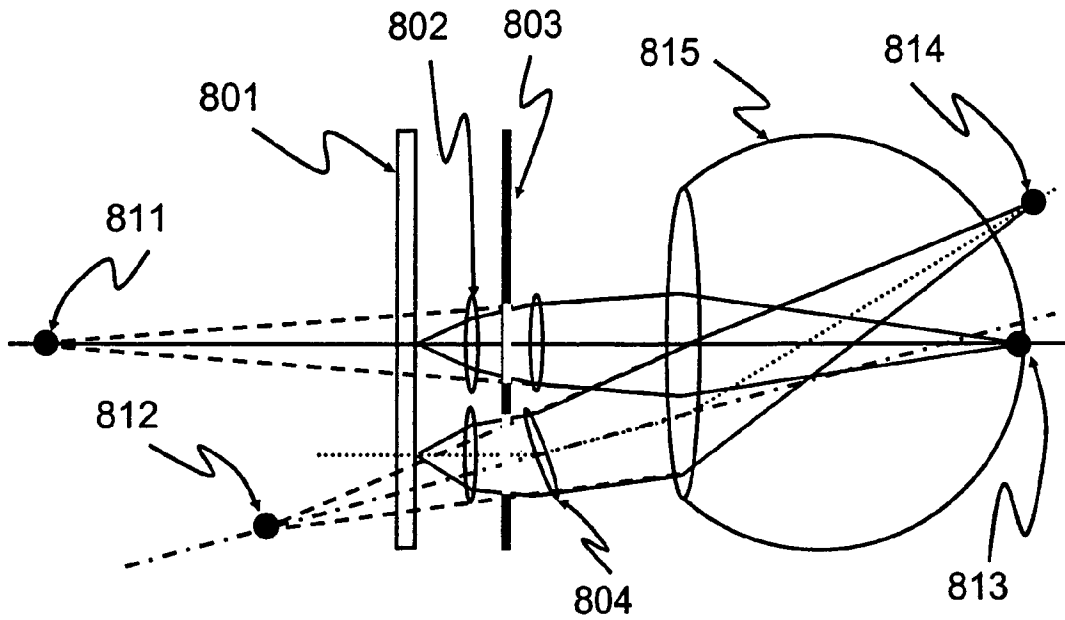


FIG. 8(b)

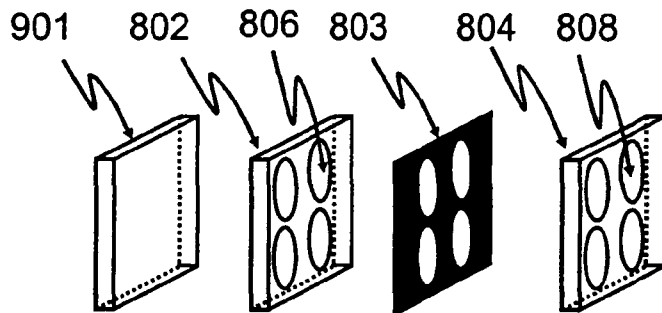


FIG. 9(a)

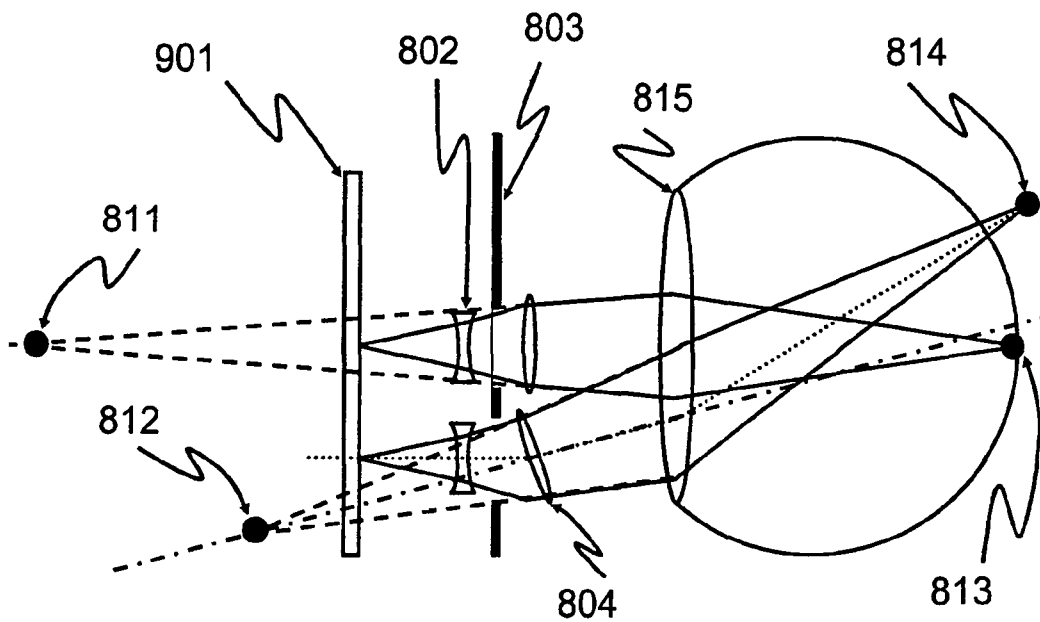


FIG. 9(b)

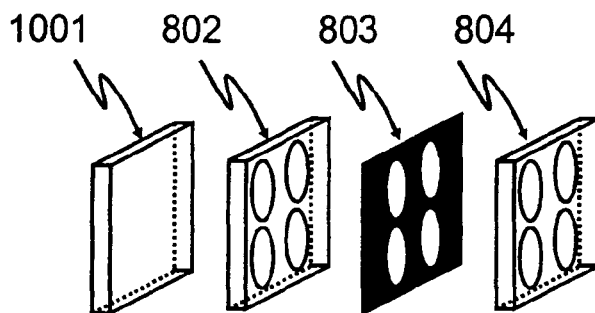


FIG. 10(a)

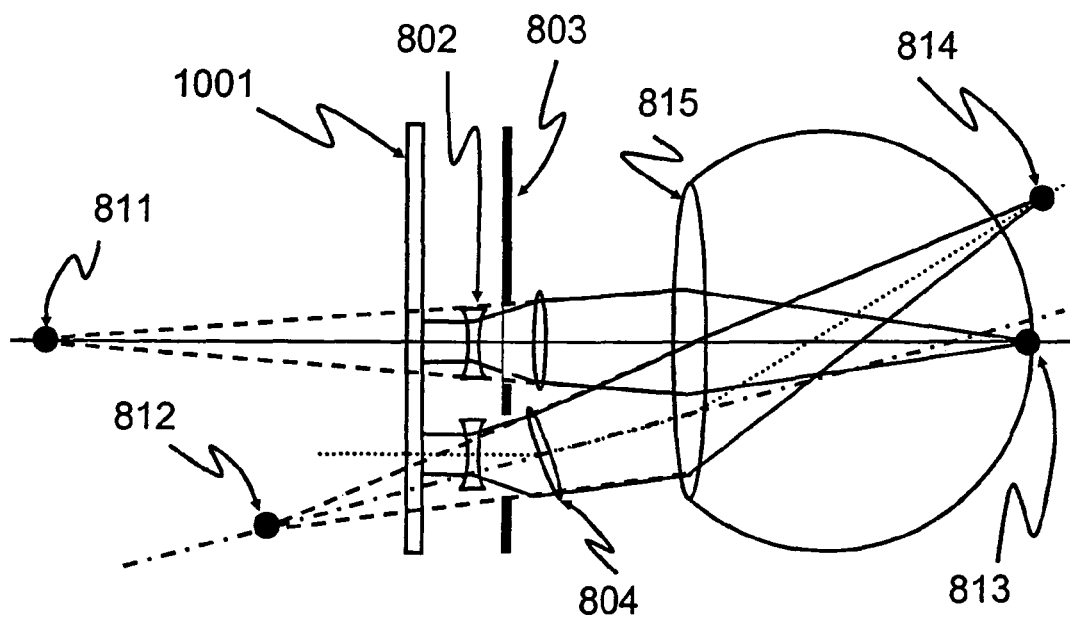


FIG. 10(b)

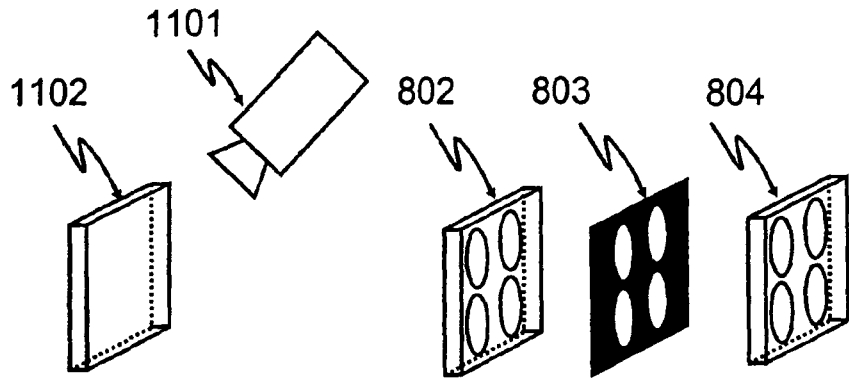


FIG. 11(a)

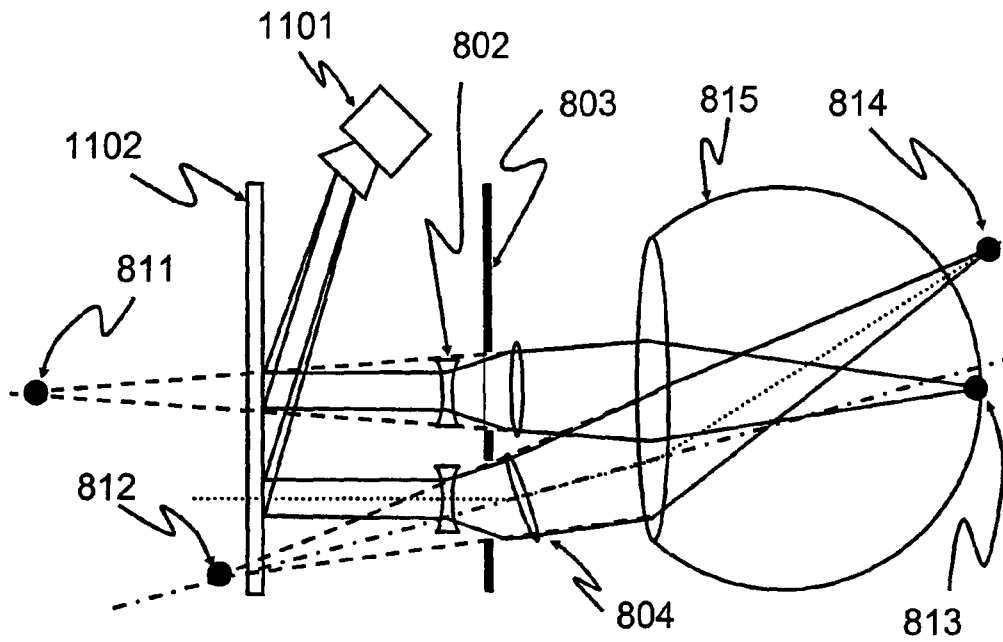


FIG. 11(b)

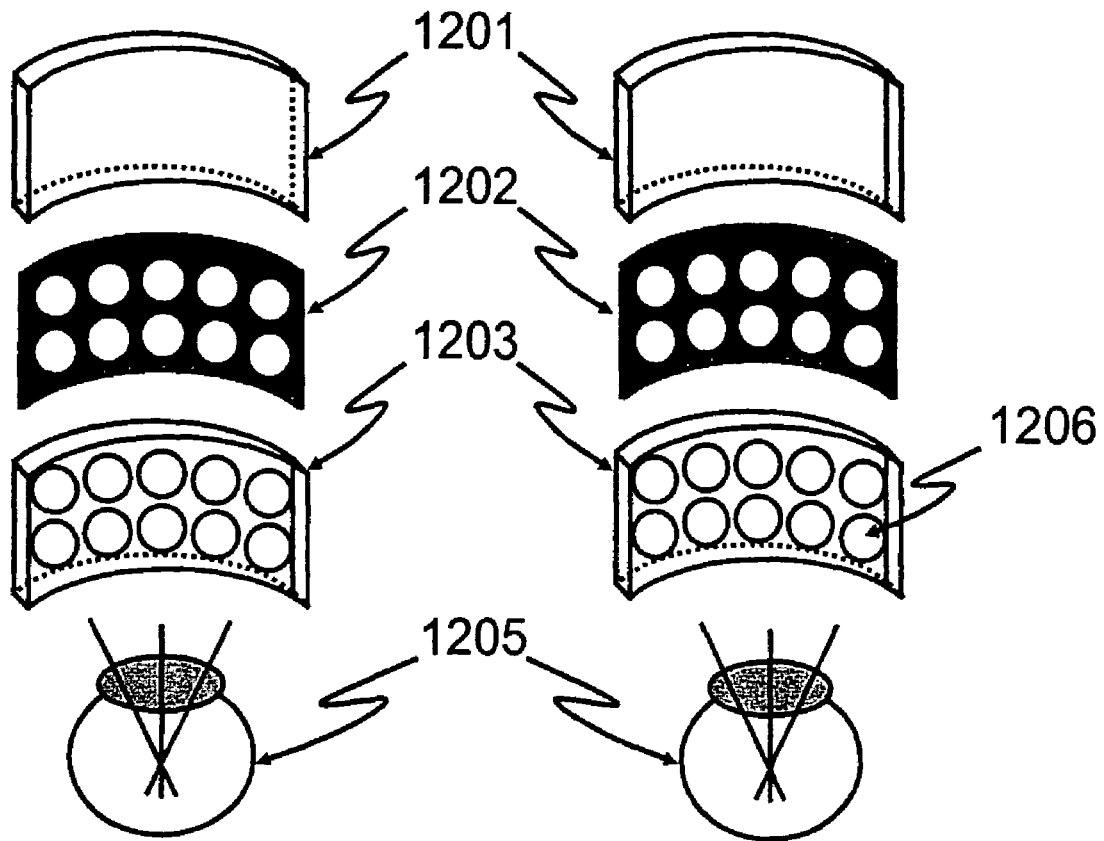


FIG. 12

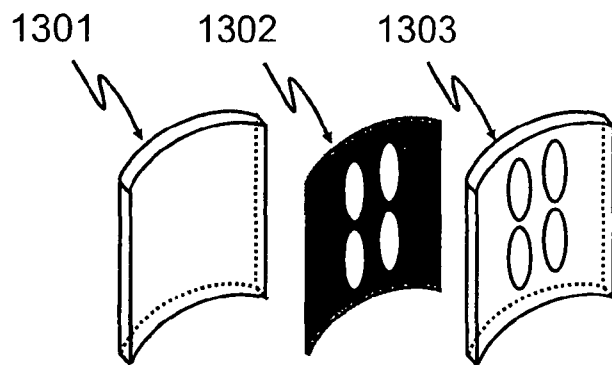


FIG. 13(a)

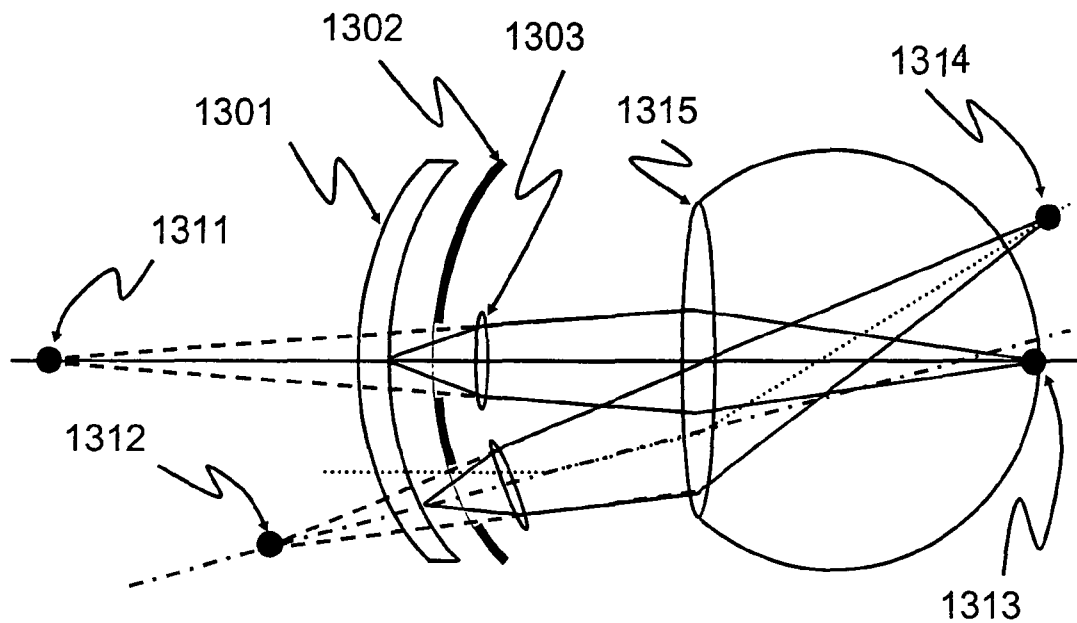


FIG. 13(b)

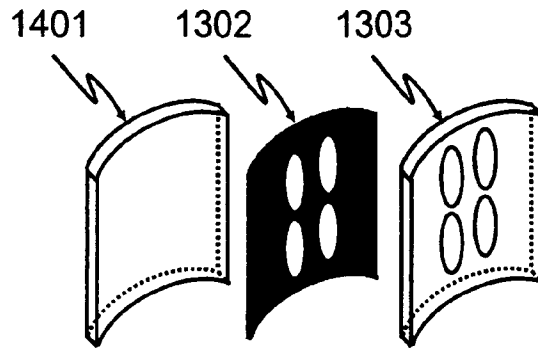


FIG. 14(a)

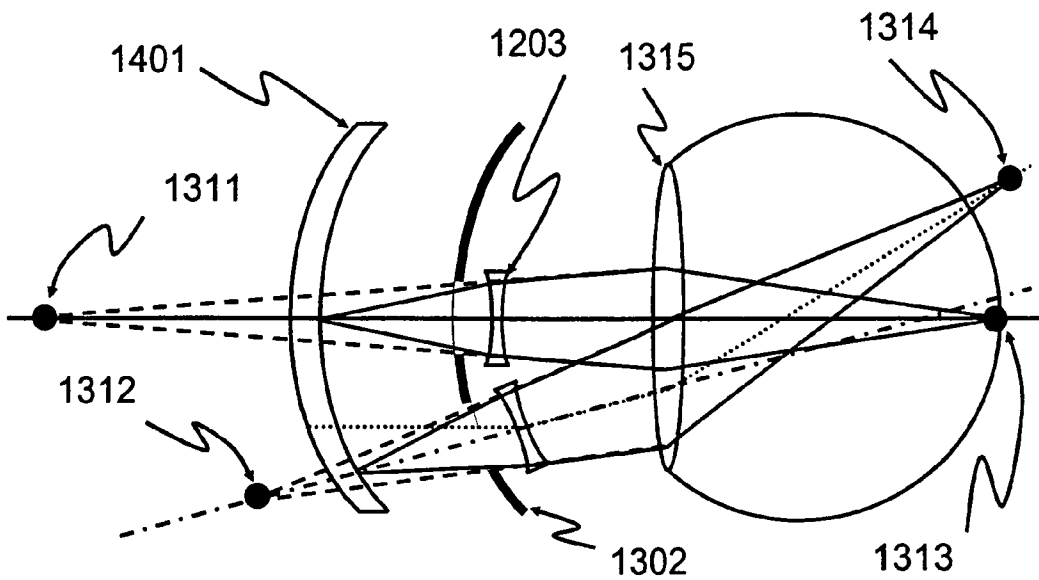


FIG. 14(b)

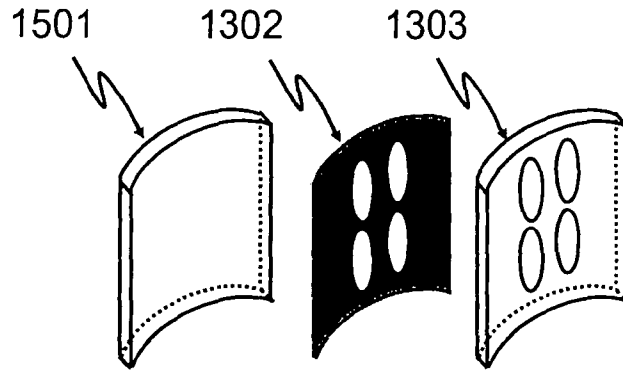


FIG. 15(a)

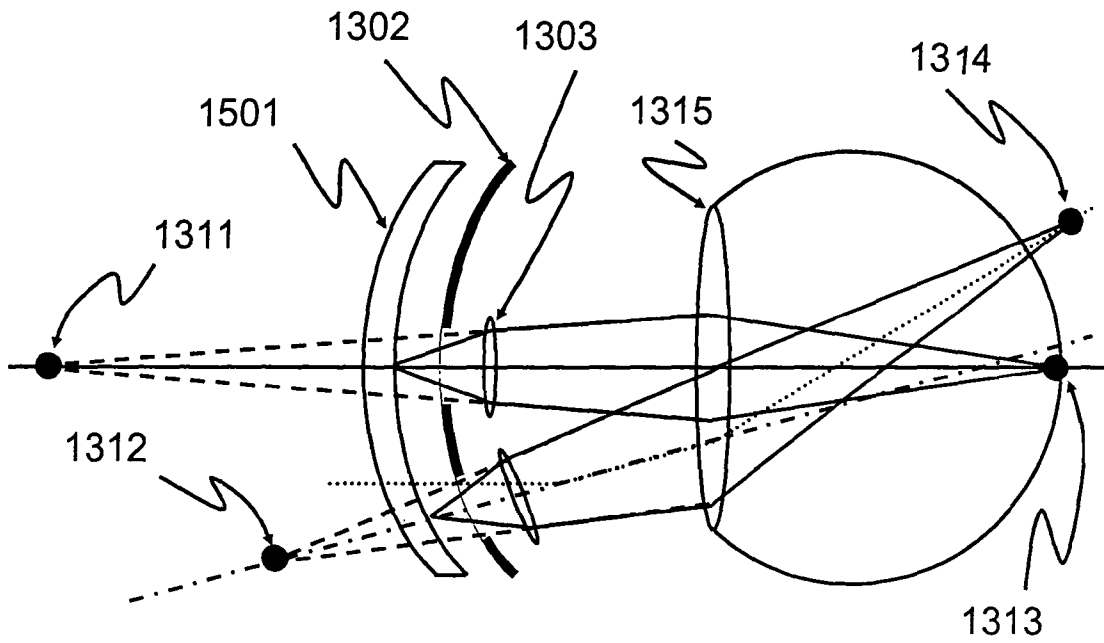


FIG. 15(b)

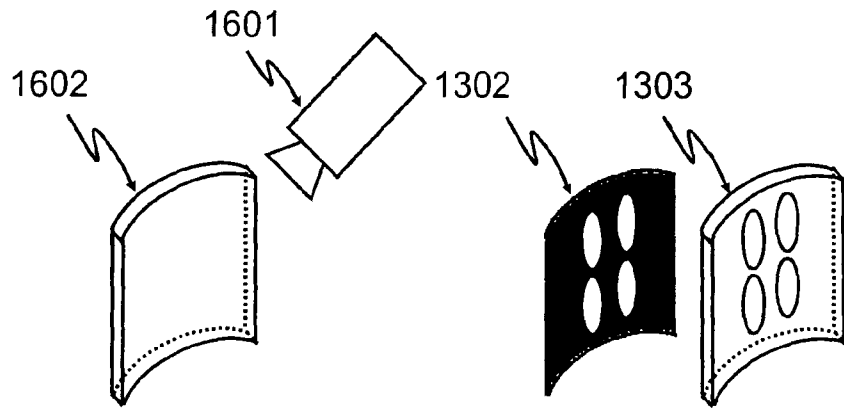


FIG. 16(a)

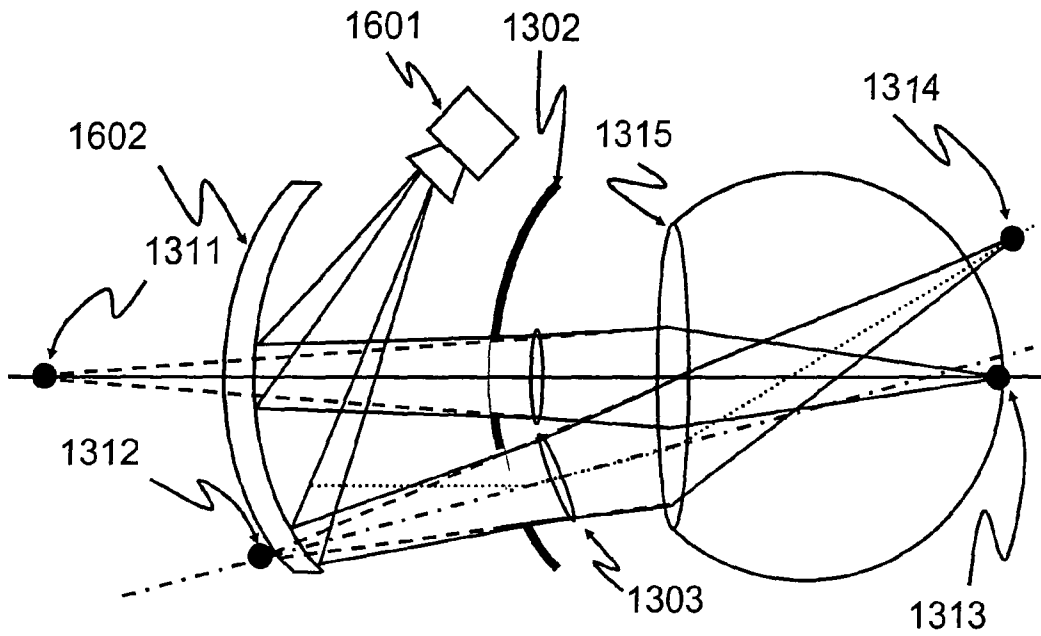


FIG. 16(b)

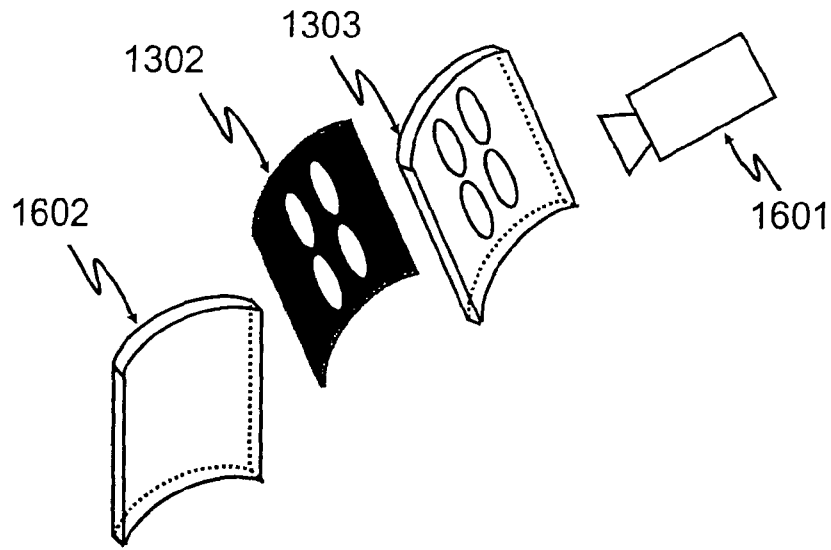


FIG. 16(c)

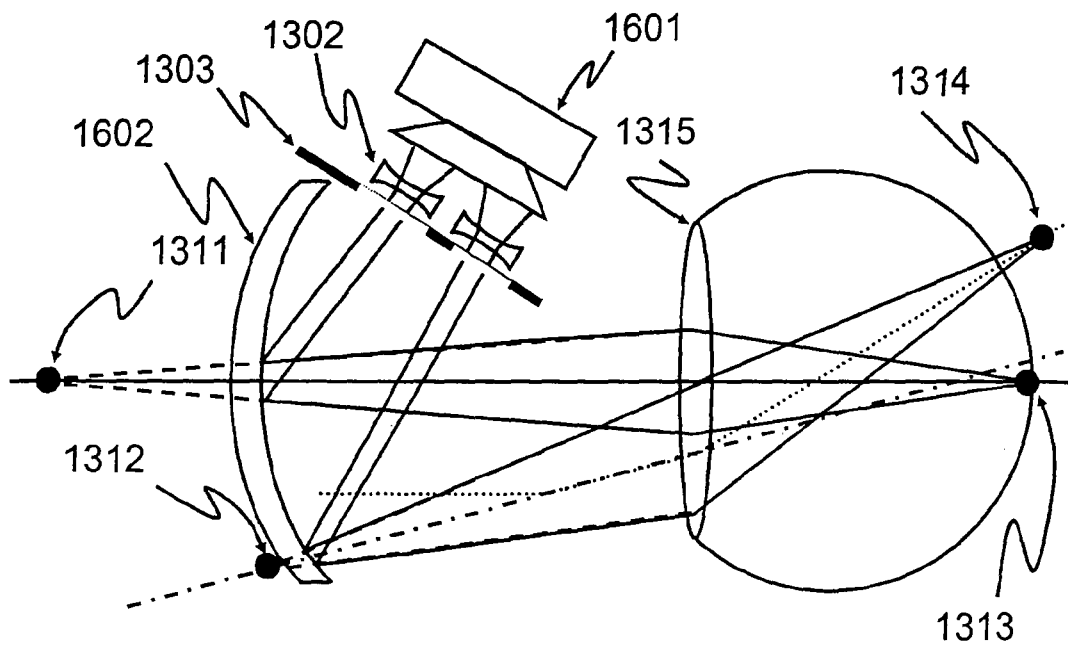


FIG. 16(d)

1

**HEAD MOUNTED DISPLAY WITH CURVED
DISPLAY SCREEN, CURVED TUNABLE
FOCUS LIQUID CRYSTAL MICRO-LENS AND
FIRST AND SECOND CURVED BLACK
MASKS CORRESPONDING
INDEPENDENTLY TO ONE OF THE RIGHT
AND THE LEFT EYE**

This application is a divisional application of U.S. patent application Ser. No. 11/266,612 filed on Nov. 3, 2005 now U.S. Pat. No. 7,486,341.

FIELD OF THE INVENTION

The present invention relates to head mounted displays and, in particular, to apparatus, methods, systems and devices for head mounted stereoscopic 3-D display devices using the tunable focus liquid crystal micro-lens array eye to produce eye accommodation information, wherein the tunable liquid crystal micro-lens array changes the diopter of the display pixels to provide the eye accommodation information.

BACKGROUND AND PRIOR ART

The perception of three dimensional images is a visual effect created by stereoscopy, visual accommodation, perspective (apparent size dependent on distance), occlusion (objects in front hide what is behind), atmospheric effects (objects in the distance appear hazy), shading, and so on. Images presented by planar displays, such as CRTs, LCDs, projection displays, laser scan displays, and others, provide visual clues of a three dimensional image using perspective, occlusion, shading, and atmospheric effects at a fixed visual focal length that determined by the distance between the display screen and the audience. Stereoscopic displays, such as 3-dimensional LCDs and 3-dimensional head mounted displays, provide spatially distinct images to each eye so that the stereoscopy is also included in the visual clues for the perception of three dimensional images.

Although some 3-dimensional head mounted displays are superior to 3-dimensional LCDs in providing better stereoscopy images, the displayed images are still at a fixed visual focal length while the stereoscopy and visual accommodation are inherently related in the perception of a three dimensional image. Furthermore, because high power lenses are required to provide visible image on a screen adjacent to the eye, bulky configuration and heavy weight are the common problems in the optical system of conventional head mounted displays, especially when the field of view is increased. FIG. 1 shows the schematic diagram of the optical system in such a prior art. According to U.S. Pat. No. 4,130,832 issued to Sher on Dec. 19, 1978, and U.S. Pat. No. 5,355,181 issued to Ashizaki et al on Oct. 11, 1994 and U.S. Publication No. 2004/0130783 A1 published on Jul. 8, 2004, inventions about 3-D head mounted displays using variable focal length elements to modulate scanning light beam provided a solution to relating visual accommodation with the stereoscopy.

However, the high cost, complex configuration, high requirements of components arrangement accuracy are significant problems. According to prior art publications include Ren, Hongwen, Tunable microlens arrays using polymer network liquid crystal, Optics Communication, vol. 230 (2004), p. 267-271, and Lin, Yi-Hsin et al., Tunable-focus cylindrical liquid crystal lenses, Japanese Journal of Applied Physics, vol. 44 (2005), p. 243, and Ren, Hongwen, Tunable-focus flat

2

liquid crystal spherical lens, Applied Physics Letter, vol. 84 (2004), p. 4789, several tunable focus liquid crystal lens were described.

Therefore, a need exists for a low cost method and device of head mounted display providing stereoscopy images with visual accommodation and the presented device is slim and light weight.

SUMMARY OF THE INVENTION

A secondary objective is to provide apparatus, methods, systems and devices using tunable liquid crystal micro-lens array to change the diopter of the display pixel to provide eye accommodation information.

A secondary objective is to provide s to provide apparatus, methods, systems and devices using tunable liquid crystal micro-lens array to change the diopter of the display pixel to provide eye accommodation information.

A third objective is to provide apparatus, methods, systems and devices for producing light weight head mounted visual displays with eye accommodation information.

A fourth objective is to provide apparatus, methods, systems and devices for a compact size head mounted visual displays for displaying three dimensional images with visual accommodation.

A fifth objective is to provide apparatus, methods, systems and devices for the head mounted visual display to display three dimensional images with visual accommodation with a high resolution.

A sixth objective is to provide apparatus, methods, systems and devices for head mounted visual displays with large field of view.

A seventh objective is to provide apparatus, methods, systems and devices for displaying three dimensional images with visual accommodation at a low cost.

A first preferred embodiment of the invention is to provide an improved method and device for producing eye accommodation information by alternating the diopter of display pixel using the tunable focus liquid crystal micro-lens array wherein the head mounted stereoscopic 3-D display devices. In a first embodiment, the display device comprises planar display screen, planar tunable liquid crystal micro-lens array, planar black mask, and bias lens.

In a second embodiment of the invention, the display device comprises planar display screen, planar tunable liquid crystal micro-lens array, planar black mask, and bias micro-lens array.

In a third embodiment of the invention, the display device comprises curved display screen, curved tunable liquid crystal micro-lens array, and curved black mask.

Further objectives, features, and advantages of this invention will be apparent from the following detailed descriptions of the presently preferred embodiments that are illustrated schematically in the accompanying drawings.

BRIEF DESCRIPTION OF THE FIGURES

FIG. 1 is a schematic diagram showing an example of a prior art head mounted 3-D display device with fixed focus length.

FIG. 2 is a schematic diagram showing an example of a head mounted 3-dimensional display device comprising planar display screen and tunable focus liquid crystal micro-lens array and bias lens according to a first embodiment of the present invention.

FIG. 3a is a schematic diagram showing an example of the configuration of the optical components according to the first embodiment.

FIG. 3b shows an example of a virtual image displayed on the planar emissive display screen being provided to the user as a retinal image using the configuration shown in FIG. 3a.

FIG. 4a is a schematic diagram showing another example of the configuration of the optical components according to the first embodiment.

FIG. 4b shows an example of a virtual image displayed on the planar transmissive display screen being provided to the user as a retinal image using the configuration shown in FIG. 4a.

FIG. 5a is a schematic diagram showing another example of the configuration of the optical components according to the first embodiment.

FIG. 5b shows an example of a virtual image displayed on the planar reflective display screen being provided to the user as a retinal image using the configuration shown in FIG. 5a.

FIG. 6a is a schematic diagram showing another example of the configuration of the optical components according to the first embodiment.

FIG. 6b shows another example of a virtual image displayed on the planar reflective display screen being provided to the user as a retinal image using the configuration shown in FIG. 6a.

FIG. 6c is a schematic diagram showing another example of the configuration of the optical components according to the first embodiment.

FIG. 6d shows another example of a virtual image displayed on the planar reflective display screen being provided to the user as a retinal image using the configuration shown in FIG. 6c.

FIG. 7 is a schematic diagram showing an example of a head mounted 3-dimensional display device having a planar display screen, tunable focus liquid crystal micro-lens array and bias micro-lens array according to a second embodiment of the present invention.

FIG. 8a is a schematic diagram showing an example of the configuration of the optical components according to a second embodiment.

FIG. 8b shows an example of a virtual image displayed on the planar emissive display screen being provided to the user as a retinal image using the configuration shown in FIG. 8a.

FIG. 9a is a schematic diagram showing another example of the configuration of the optical components according to the second embodiment.

FIG. 9b shows an example of a virtual image displayed on the planar transmissive display screen being provided to the user as a retinal image using the configuration shown in FIG. 9a.

FIG. 10a is a schematic diagram showing another example of the configuration of the optical components according to the second embodiment.

FIG. 10b shows an example of a virtual image displayed on the planar reflective display screen being provided to the user as a retinal image using the configuration shown in FIG. 10a.

FIG. 11a is a schematic diagram showing another example of the configuration of the optical components according to the second embodiment.

FIG. 11b shows another example of a virtual image displayed on the planar reflective display screen being provided to the user as a retinal image using the configuration shown in FIG. 11a.

FIG. 12 is a schematic diagram showing an example of a head mounted 3-dimensional display device comprising

curved display screen and tunable focus liquid crystal micro-lens array according to a third embodiment.

FIG. 13a is a schematic diagram showing an example of the configuration of the optical components according to the third embodiment.

FIG. 13b shows an example of a virtual image displayed on the curved emissive display screen being provided to the user as a retinal image using the configuration shown in FIG. 13a.

FIG. 14a is a schematic diagram showing another example of the configuration of the optical components according to the third embodiment.

FIG. 14b shows an example of a virtual image displayed on the curved transmissive display screen being provided to the user as a retinal image using the configuration shown in FIG. 14a.

FIG. 15a is a schematic diagram showing another example of the configuration of the optical components according to the third embodiment.

FIG. 15b shows an example of a virtual image displayed on the curved reflective display screen being provided to the user as a retinal image using the configuration shown in FIG. 15a.

FIG. 16a is a schematic diagram showing another example of the configuration of the optical components according to the third embodiment.

FIG. 16b shows another example of a virtual image displayed on the curved reflective display screen being provided to the user as a retinal image using the configuration shown in FIG. 16b.

FIG. 16c is a schematic diagram showing another example of the configuration of the optical components according to the third embodiment.

FIG. 16d shows another example of a virtual image displayed on the curved reflective display screen being provided to the user as a retinal image using the configuration shown in FIG. 16c.

DESCRIPTION OF THE PREFERRED EMBODIMENTS

Before explaining the disclosed embodiments of the present invention in detail it is to be understood that the invention is not limited in its application to the details of the particular arrangements shown since the invention is capable of other embodiments. Also, the terminology used herein is for the purpose of description and not of limitation.

The following is a list of the designators used in the drawings and the detailed specification to identify components, wherein like components assigned like designators:

101	display screens	103	eyes
102	image lenses	201	planar display screens
202	planar black masks	704	bias micro-lens arrays
203	planar tunable focus LC lens arrays	706	liquid crystal micro-lens
204	planar bias lens	708	bias lens
205	eyes	801	planar emissive LC display screen
206	liquid crystal micro-lens	802	planar tunable focus LC lens array
301	planar emissive LC display screen	803	planar black mask
302	planar black mask	804	bias micro-lens array
303	planar tunable focus LC lens array	806	liquid crystal micro-lens
304	bias lens	808	bias micro-lens
306	liquid crystal micro-lens	811	virtual object of display pixel 1

-continued

308	liquid crystal micro-lens	812	virtual object of display pixel 2
311	virtual object of display pixel 1	813	retinal image of the display pixel 1
312	virtual object of display pixel 2	814	retinal image of the display pixel 2
313	retinal image of the display pixel 1	815	eye
314	retinal image of the display pixel 2	901	planar transmissive LC display screen
315	eye	1001	planar reflective LC display screen
401	planar transmissive LC display screen	1101	image projector
501	planar reflective LC display screen	1102	planar reflective LC display screen
601	image projector	1201	curved display screens
602	planar reflective display screen	1202	curved black masks
701	planar display screens	1203	curved tunable focus LC lens arrays
702	planar tunable focus LC lens arrays	1205	eye
703	planar black masks	1314	retinal image of the display pixel 2
1206	liquid crystal micro-lens	1315	eye
1301	curved emissive LC display screen	1401	curved transmissive LC display screen
1302	curved black mask	1501	curved reflective LC display screen
1303	curved tunable focus LC lens array	1601	image projector
1306	liquid crystal micro-lens	1602	curved reflective display screen
1311	virtual object of display pixel 1		
1312	virtual object of display pixel 2		
1313	retinal image of the display pixel 1		

The method, system apparatus and device of the present invention provides a new device structure for producing eye accommodation information using a tunable focus liquid crystal micro-lens array within a head mounted display devices.

FIG. 2 shows an example of the configuration of the tunable focus liquid crystal micro-lens arrays for use in head mounted display devices of the presented invention. The head mounted display includes, for each of the left eye and the right eye, planar display screen 201, black mask 202, tunable focus liquid crystal micro-lens array 203 and a bias lens 204. Planar display screens 201 display the stereoscopic images that are seen by the eyes 205 of the viewer. The planar display screens 201 can be emissive displays, such as OLEDs, transmissive displays, such as transmissive liquid crystal displays, reflective displays, such as reflective liquid crystal displays, or an alternative planar display.

The tunable focus liquid crystal micro-lens arrays 203 are disposed in front of each display screen 201 between the display screen 201 and the corresponding eye 205. The individual liquid crystal lenses 206 of the tunable focus liquid crystal micro-lens arrays 203 are aligned with the display pixels of the display screen 201. Black masks 202 are disposed adjacent to the tunable focus liquid crystal micro-lens arrays 203 and bias lens 204. The black masks 202 have apertures that are aligned with the individual liquid crystal lenses 203 so that only the light from the display screens passes through the liquid crystal lenses 203. While the black masks 202 are shown between the display screen 201 and the

liquid crystal micro-lens arrays 203, the black mask 202 can be disposed on either side or on both sides of the liquid crystal micro-lens arrays 203.

When control signals are applied, the liquid crystal micro-lenses of the tunable focus liquid crystal micro-lens arrays 203 alternates the convergence of the light emitting from the corresponding display pixels of the planar display screens 201. Thus, the viewer's eye acclimates to variations in the diopter of the display pixels to enhance the experience of three dimensional visual effects. The bias lenses 204 are disposed between the tunable focus liquid crystal micro-lens arrays 203 and the corresponding eye 205. The bias lenses 204 converges the light into the pupil of the adjacent eye 205 so that all portions of the displayed image visible even though the field of view is large and/or the viewer moves the eye 205.

A more specific example of the first embodiment is shown in FIGS. 3a and 3b. FIG. 3a is a schematic diagram showing an example of a configuration of the tunable focus liquid crystal and FIG. 3b shows an example of an image displayed on the planar emissive display screen 301 being transmitted to the viewer's eye using the configuration shown in FIG. 3a. For purpose of illustration and discussion, the device is described for one eye although there is a duplicate device for the other eye.

As shown in FIG. 3b, the head mounted stereoscopic 3-dimensional display devices comprise planar emissive display screens 301, planar black masks 302, planar tunable focus liquid crystal micro-lens arrays 303 and bias lenses 304 as previously described in regard to FIG. 2. The each planar emissive display screen 301 displays one of the stereoscopic images to be seen by the corresponding eye of the viewer.

The tunable focus liquid crystal micro-lens array 303 is disposed in front of the display screen between the planar emissive display screen 301 and the viewer's eye 315. The individual liquid crystal micro-lenses 306 of the tunable focus liquid crystal micro-lens array 303 are aligned with the display pixels of the planar emissive liquid crystal display screen 301. Black mask 302 is disposed adjacent the tunable focus liquid crystal micro-lens array 303 so that only light from the display screens 301 passes through the liquid crystal micro-lenses 306 as shown in FIG. 3b. As previously described, the black mask 302 can be disposed on either side or on both sides of the liquid crystal micro-lens array 303.

Upon application of control signals, the liquid crystal micro-lenses 306 of the tunable focus liquid crystal micro-lens array 303 alternates, from pixel 1 to pixel 2 and vice versa, for convergence of light emitting from the corresponding display pixels of the planar emissive liquid crystal display screen 301. For example, a virtual object 311 of display pixel 1 passes through the liquid crystal micro-lens 306 of the tunable focus liquid crystal micro-lens array 303 to the bias lens 304 which converges the virtual image 311 onto the pupil of the eye to provide retinal image 313 of display pixel 1. Similarly, virtual object 312 of display pixel 2 passes through liquid crystal micro-lens 308 to bias lens 304 which converges the virtual image 312 on the eye 315 to provide the retinal image 314 of pixel 2. Thus, the eye 315 of the viewer acclimates itself to the variations in the diopter of the display pixels to enhance the experience of three dimensional visual effects. In this example, the bias lens 304 is configured as shown in FIG. 3a to converge light into the pupils so that approximately all portions of the displayed image are visible even though the field of view is large and/or the viewer moves the eye.

Another example is shown in FIGS. 4a and 4b. FIG. 4a shows the configuration of the optical components and FIG. 4b shows a virtual image 311, 312 from the transmissive

display device **401** being transmitted to the user as retinal images **313**, **314** using the optical configuration shown in FIG. **4a**. In this example, the head mounted stereoscopic 3-dimensional display devices includes a planar transmissive liquid crystal display screens **401**.

Operationally, one of the stereoscopic images is shown on the planar transmissive liquid crystal display panel **401**. As described in the previous example, the tunable focus liquid crystal micro-lens array **303** is disposed between the display screen **401** and the eye **315**. the individual liquid crystal lenses **306** and **308** in the tunable focus liquid crystal micro-lens array **303** are aligned with the display pixels of the planar transmissive liquid crystal display panel **401**. Black mask **302** with apertures corresponding to the liquid crystal lenses **306** and **308** is disposed adjacent to the tunable focus liquid crystal micro-lens array **303** so that only the light from the display screen pixel **1** and pixel **2**, alternately, pass through the liquid crystal micro-lenses **306** as shown in FIG. **4b**. As in the previous example, the black mask **302** can be disposed on either side or on both sides of the liquid crystal micro-lens array **303**.

Another example is shown in FIGS. **5a** and **5b**. In this example the head mounted stereoscopic 3-D display devices includes planar reflective liquid crystal display screens **501** in combination with the planar black mask **302**, planar tunable focus liquid crystal micro-lens arrays **303** and bias lenses **304** as previously described. In this alternative example, the light reflected from the planar reflective liquid crystal display screen **501** is already collimated. One of the stereoscopic images is shown on the planar reflective liquid crystal display panel **501**. The tunable focus liquid crystal micro-lens array **303** is disposed between the planar reflective display screen **501** and the eye **315**. As previously described, the individual liquid crystal lenses **306** of the tunable focus liquid crystal micro-lens array **303** are aligned with the display pixels of the planar reflective liquid crystal display panel **501**. Black mask **302** is disposed adjacent to, and aligned with, the tunable focus liquid crystal micro-lens array **303** so that only light from the display screen passes through the liquid crystal micro-lenses **303** as shown in FIG. **5b**.

Another example is shown in FIGS. **6a** and **6b**. In this example the head mounted stereoscopic 3-D display devices includes image projector **601**, planar reflective display screens **602** in combination with the planar black mask **302**, planar tunable focus liquid crystal micro-lens arrays **303** and bias lenses **304** as previously described. One of the stereoscopic images is produced from the image projector **601** and reflected from the planar reflective display screen **602**. In this alternative example, the light produced from the image projector is already collimated. The tunable focus liquid crystal micro-lens array **303** is disposed between the planar reflective display screen **602** and the eye **315**. As previously described, the individual liquid crystal micro-lenses **306** of the tunable focus liquid crystal micro-lens array **303** are aligned with the display pixels of the planar reflective display panel **602**. Black mask **302** is disposed adjacent to, and aligned with, the tunable focus liquid crystal micro-lens array **303** so that only light from the display screen passes through the liquid crystal micro-lenses **303** as shown in FIG. **6b**.

An alternate disposition of the tunable focus liquid crystal micro-lens array **303** for this example is illustrated in FIGS. **6c** and **6d**. The tunable focus liquid crystal micro-lens array **303** is disposed between the image projector **601** and the planar reflective display screen **602**. Black mask **302** is disposed adjacent to, and aligned with, the tunable focus liquid

crystal micro-lens array **303** so that only light from the display screen passes through the liquid crystal micro-lenses **303** as shown in FIG. **6b**.

FIG. **7** show an alternative example of a tunable focus liquid crystal micro-lens array configuration of the present invention. In this example, the head mounted stereoscopic 3-D display devices includes planar display screens **701**, planar black masks **703**, planar tunable focus liquid crystal micro-lens arrays **702** and bias micro-lens arrays **704**. Referring back to FIG. **2**, since the display screens of the head mounted displays are arranged at a distance very close to the eyes of the viewer, the power of the bias lenses **204** is large enough to cover the planar tunable focus liquid crystal lens array **203**.

To further reduce the weight and the thickness of the head mounted display devices, the bias lenses in FIG. **2** are replaced by the bias micro-lens arrays **704** having individual bias lenses **708** that are aligned with the liquid crystal micro-lenses **706** of the planar tunable focus liquid crystal micro-lens arrays **702**. In the example shown in FIG. **7**, the planar black masks **703** is located between the bias micro-lens arrays **704** and the planar tunable focus liquid crystal micro-lens arrays **702** although the planar black mask **703** can alternatively be located on the opposite side or on both sides of the planar tunable focus liquid crystal micro-lens arrays **702**.

The planar display screens **701** can be emissive displays, such as OLEDs, transmissive displays, such as transmissive liquid crystal displays, reflective displays, such as reflective liquid crystal displays, or other planar displays. The tunable focus liquid crystal micro-lens arrays **702** are disposed in front of each display screen between the display screen and the eyes **315**. The liquid crystal micro-lenses **706** of the tunable focus liquid crystal micro-lens arrays **702** and bias lenses **708** of the bias micro-lens arrays **704** are aligned with one another and with the display pixels of the display screen **701**.

FIGS. **8a** and **8b** show another example of the present invention using the configuration shown in FIG. **7**. FIG. **8a** is a schematic diagram showing another example of the configuration of the optical components and FIG. **8b** shows an example of a virtual image **811** and **812** displayed on the planar emissive display screen as pixels **1** and **2** being transmitted to the viewer's eye **815** as a retinal image **813** and **814**, respectively, using the configuration shown in FIG. **8a**. In this example the planar display screens are planar emissive liquid crystal display screens **801**.

As described in regard to FIG. **3**, when the planar display screen is an emissive display screen **801**, head mounted stereoscopic 3-D display devices includes planar emissive liquid crystal display screen **801**, planar black masks **803**, planar tunable focus liquid crystal micro-lens arrays **802** and bias micro-lens arrays **804**. The bias micro-lenses **808** of the bias micro-lens array **804** are aligned with the liquid crystal micro-lenses **806** of the tunable focus liquid crystal micro-lens array **802**. Operationally, the device reflects images from the planar emissive liquid crystal display **801** screen in the same manner as described in regard to FIG. **3b**.

Another example of the present invention is shown in FIGS. **9a** and **9b**. Like the head mounted stereoscopic 3-D display device previously described in regard to FIG. **4b**, the planar display screen is alternatively a planar transmissive display screen **901**. The images are displayed on the planar transmissive liquid crystal display panel **901** are transmitted to the viewer in the same manner described in regard to FIG. **4b**.

FIGS. **10a** and **10b** show yet another example of the present invention. In this embodiment, the planar display screen is a planar reflective liquid crystal display screen **1001** wherein

the light reflected from the display screen **1001** is already collimated as described in regard to the example shown in FIG. **5b**. The difference between this example and the example shown in FIG. **5b** is plural bias micro-lenses **808** in the bias micro-lens array **804** which are aligned with the plural liquid crystal micro-lenses **806** in the tunable focus liquid crystal micro-lens array **802**.

FIGS. **11a** and **11b** show another example of the present invention. In this embodiment, the planar display screen is a planar reflective screen **1102** wherein the light produced from the image projector **1101** is reflected from the display screen **1102**. The tunable focus liquid crystal micro-lens array **802** is disposed between the planar reflective display screen **1102** and the eye **815**. The difference between this example and the example shown in FIG. **6(b)** is plural bias micro-lenses **808** in the bias micro-lens array **804** which are aligned with the plural liquid crystal lenses **806** in the tunable focus liquid crystal micro-lens array **802**.

FIG. **12** shows yet another example of the of the tunable focus liquid crystal micro-lens arrays components and their placement with respect to the viewer's eye **1205**. In this example, the head mounted stereoscopic 3-D display device includes curved display screens **1201**, curved black masks **1202** and curved tunable focus liquid crystal micro-lens arrays **1203**. Another difference between the configurations shown in FIGS. **2** and **8** and the configuration shown in FIG. **12**, the device does not include a bias lens or a bias micro-lens arrays. The curved display screens **1201** can be emissive displays, such as OLEDs, transmissive displays, such as transmissive liquid crystal displays, reflective displays, or other curved displays.

The tunable focus liquid crystal micro-lens arrays **1203** are disposed between the display screens **1201** and the viewer's eye **1205**. The plural liquid crystal micro-lenses **1206** of the tunable focus liquid crystal micro-lens arrays **1203** are aligned with the display pixels of the display screen **1201** so that the convergent light passes through the liquid crystal micro-lenses **1206** as described in the previous examples. Curved black masks **1202** are disposed adjacent to the curved tunable focus liquid crystal micro-lens arrays **1203** so that the light from the display screens only passes through the liquid crystal micro-lenses **1203**. As with the previous examples, the curved black masks **1202** can be disposed on either side or both sides of the curved tunable focus liquid crystal micro-lens arrays **1203**.

A more specific example is shown in FIGS. **13a** and **13b**. FIG. **13a** shows the optical components and their placement with respect to one another and FIG. **13b** shows the focusing of the virtual images **1311** and **1312** corresponding to a first and second display pixel to the viewer's eye **1315** to produce retinal images **1313** and **1314**, respectively. The optical components shown in FIG. **13a** are curved as described for the example shown in FIG. **12** with an alternative number of apertures in the curved black masks **1302** and the liquid crystal lenses **1306** of the curved tunable focus liquid crystal micro-lens arrays **1303**. As in the previous embodiments, the curved black masks **1302** can be disposed on either side or on both sides of the curved tunable focus liquid crystal micro-lens arrays **1303**.

As previously described, when control signals are applied, the liquid crystal lenses **1306** of the tunable focus liquid crystal micro-lens array **1303** alternate the convergence of the light emitting from the corresponding display pixels of the curved emissive display screen **1301** as shown in FIG. **13b** so that the corresponding eye acclimates itself to the variations

in the diopter of display pixels to enhance the experience of three dimensional visual effects as described in regard to FIGS. **3b** and **8b**.

In the example shown in FIGS. **14a** and **14b**, the head mounted stereoscopic 3-D display devices includes the curved planar transmissive display screen **1401**, curved black mask **1202** and curved tunable focus liquid crystal lens array **1203** as shown in FIGS. **12a** and **12b**. However, in this example, like the examples shown in FIGS. **4b** and **9b**, the planar transmissive display screen is a curved transmissive display screen **1401**. The stereoscopic images are shown on the curved transmissive liquid crystal display panel **1401**.

As previously described, when control signals are applied, the liquid crystal micro-lenses of the tunable focus liquid crystal micro-lens array **1203** alternate the convergence of the light emitting from the corresponding display pixels of the planar transmissive liquid crystal display panel **1401** as shown in FIG. **14b** to change the diopter of display pixels so that the eye accommodation information is provided.

FIGS. **15a** and **15b** show yet another example of the present invention. In this embodiment, the display screen is a curved reflective liquid crystal display screen **1501** wherein the light reflected from the curved reflective liquid crystal display screen **1501** is already collimated as described in regard to the example shown in FIGS. **5b** and **10b**.

FIGS. **16a** and **16b** show yet another example of the present invention. In this embodiment, the light produced from the image projector **1601** is reflected by the curved reflective display screen **1602**. The curved tunable focus liquid crystal micro-lens array **1303** is disposed between the curved reflective display screen **1602** and the eye **1315** as described in regard to the example shown in FIGS. **6b** and **11b**. FIGS. **16c** and **16d** show an alternate arrangement of the curved tunable focus liquid crystal micro-lens array **1303** and the curved black mask **1302**. The curved tunable focus liquid crystal micro-lens array **1303** is disposed between the image projector **1601** and the curved reflective display screen **1602** in the same configurations as described in regard to the example shown in FIG. **6d**. As previously described, the difference between the configuration shown in FIG. **6d** and FIG. **16d**, is the bias micro-lens array shown in FIG. **6d**. While there is a difference in the configuration, the operation of the head mounted display shown in FIG. **16d** is the same as described in regard to FIG. **6d**.

While the invention has been described, disclosed, illustrated and shown in various terms of certain embodiments or modifications which it has presumed in practice, the scope of the invention is not intended to be, nor should it be deemed to be, limited thereby and such other modifications or embodiments as may be suggested by the teachings herein are particularly reserved especially as they fall within the breadth and scope of the claims here appended.

We claim:

1. A head mounted visual stereoscopic display system having an image producing system for producing a 3-dimensional visual image seen by a viewer, the image producing system consisting essentially of:
 - for each of the right eye and the left eye of the viewer to provide a spatially distinct image independently to each of the right eye and the left eye,
 - one single curved display screen for displaying plural pixels of images;
 - one single curved tunable focus liquid crystal micro-lens array having plural liquid crystal micro-lenses each aligned with one of the plural display pixels of the one

11

- single curved display screen, wherein the curved tunable focus liquid crystal micro-lens array alternates a diopter of the display pixels; and
- first and second curved black masks having plural apertures aligned with the plural liquid crystal micro-lenses to prevent light from passing through the intervals between the plural liquid crystal micro-lenses of the tunable focus liquid crystal micro-lens array corresponding independently to one of the right and the left eye.
- 2. The head mounted visual display system of claim 1, wherein the first curved black mask is located between the curved display screen and the curved tunable focus liquid crystal micro-lens array.
- 3. The head mounted visual display system of claim 1, wherein the second curved black mask is located between the curved tunable focus liquid crystal micro-lens array and the viewer.
- 4. The visual display device of claim 1, wherein the curved display screen is:
 - a curved emissive liquid crystal display screen.
- 5. The head mounted visual display system of claim 1, wherein the curved display screen is:
 - a curved transmissive liquid crystal display screen.
- 6. The head mounted visual display system of claim 1, wherein the curved display screen is:
 - a curved reflective liquid crystal display screen.
- 7. The head mounted visual display system of claim 1, wherein the curved display screen is:
 - a curved reflective display screen.
- 8. The head visual display system of claim 7 wherein the one single curved tunable focus liquid crystal micro-lens

12

- array and adjacent first curved black mask are located between the curved reflective display screen and an eye of the viewer.
- 9. A head mounted visual stereoscopic display system having an image producing system for producing a 3-dimensional visual image seen by a viewer, the image producing system consisting essentially of:
 - for each of the right eye and the left eye of the viewer to provide a spatially distinct image independently to each of the right eye and the left eye,
 - one single curved display screen for displaying plural pixels of images;
 - one single curved tunable focus liquid crystal micro-lens array having plural liquid crystal micro-lenses each aligned with one of the plural display pixels of the one single curved display screen, wherein the curved tunable focus liquid crystal micro-lens array alternates a diopter of the display pixels;
 - first and second curved black masks having plural apertures aligned with the plural liquid crystal micro-lenses to prevent light from passing through the intervals between the plural liquid crystal micro-lenses of the tunable focus liquid crystal micro-lens array corresponding independently to one of the right and the left eye; and
 - an image projector for producing and projecting the image displayed on the curved reflective liquid crystal display screen, wherein the curved tunable focus liquid crystal micro-lens array and adjacent first curved black mask are located between the curved reflective liquid crystal display screen and the image projector.

* * * * *