

Additional Metal and Wood Composite Framing Members for Residential and Light Commercial Construction

2-11-2003

Armin Rudd

Find similar works at: <https://stars.library.ucf.edu/patents>

University of Central Florida Libraries <http://library.ucf.edu>

Recommended Citation

Rudd, Armin, "Additional Metal and Wood Composite Framing Members for Residential and Light Commercial Construction" (2003). *UCF Patents*. 664.

<https://stars.library.ucf.edu/patents/664>

This Patent is brought to you for free and open access by the Technology Transfer at STARS. It has been accepted for inclusion in UCF Patents by an authorized administrator of STARS. For more information, please contact lee.dotson@ucf.edu.



US006516584B1

(12) **United States Patent**
Rudd

(10) **Patent No.:** **US 6,516,584 B1**
(45) **Date of Patent:** ***Feb. 11, 2003**

(54) **ADDITIONAL METAL WOOD COMPOSITE FRAMING MEMBERS FOR RESIDENTIAL AND LIGHT COMMERCIAL CONSTRUCTION**

(76) Inventor: **Armin Rudd**, 4615 Janet Rd., Cocoa, FL (US) 32926

(*) Notice: Subject to any disclaimer, the term of this patent is extended or adjusted under 35 U.S.C. 154(b) by 0 days.

This patent is subject to a terminal disclaimer.

3,531,901 A	10/1970	Will, Jr. et al.	
3,566,569 A	3/1971	Coke et al.	
3,960,637 A	6/1976	Ostrow	
4,031,686 A	6/1977	Sanford	
4,274,241 A	6/1981	Lindal	
4,281,497 A	8/1981	Luotonen et al.	
4,301,635 A	11/1981	Neufeld	
4,466,225 A	8/1984	Hovind	
4,738,071 A	* 4/1988	Ezard	52/741
4,875,316 A	10/1989	Johnston	
5,024,039 A	6/1991	Karhumaki	
5,072,547 A	12/1991	Difazio	
5,280,692 A	1/1994	Patey	
5,285,615 A	2/1994	Gilmour	

(List continued on next page.)

(21) Appl. No.: **09/633,219**

(22) Filed: **Aug. 7, 2000**

Primary Examiner—Yvonne M. Horton

Related U.S. Application Data

(62) Division of application No. 09/248,622, filed on Feb. 11, 1999, now Pat. No. 6,250,042, which is a continuation-in-part of application No. 08/975,437, filed on Nov. 21, 1997, now Pat. No. 5,881,529, and a continuation-in-part of application No. 08/975,642, filed on Nov. 21, 1997, now Pat. No. 5,875,603, and a continuation-in-part of application No. 08/976,107, filed on Nov. 21, 1997, now Pat. No. 5,875,604, and a continuation-in-part of application No. 08/976,151, filed on Nov. 21, 1997, now Pat. No. 5,875,605, and a continuation-in-part of application No. 08/974,898, filed on Nov. 21, 1997, now Pat. No. 5,921,054, each is a division of application No. 08/664,662, filed on Jun. 21, 1996, now abandoned.

(51) **Int. Cl.**⁷ **E04L 3/30**

(52) **U.S. Cl.** **52/731.8; 52/376; 52/730.7; 52/731.9; 52/733.3; 52/736.1; 52/737.3; 52/765**

(58) **Field of Search** **52/376, 261, 461.1, 52/730.1, 730.7, 731.1, 731.8, 731.9, 733.3, 736.1, 737.3, 765, 699**

(56) **References Cited**

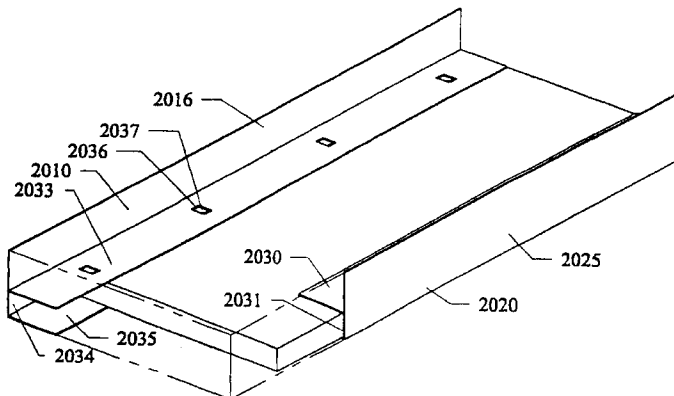
U.S. PATENT DOCUMENTS

3,310,324 A 3/1967 Boden

(57) **ABSTRACT**

Metal and wood composites are used to create framing members (studs and tracks, joists and bands, rafters, headers and the like), for lightweight construction. Metal is utilized for its high strength, resistance to rot and insects, cost stability, and potentially lower cost through recycling. Metal that can be used includes roll formed steel approximately 18–22 gauge. Wood is used primarily for its lower thermal conductivity, and availability. The metal components form the primary structure while wood, either solid or other engineered wood, provides some structure and a thermal break. A central web board can have a length of approximately 8 feet or longer with metal forms running along each of the longitudinal side edges of the board. A first embodiment metal-wood stud member has adhesive pocket end configurations. A second embodiment is a metal-wood top and bottom track having an adhesive pocket configuration. A third embodiment is a metal-wood stud having P-shape end configurations. The wood is fastened to the metal by machine pressing of the metal to wood. Alternatively the fastening includes nails, staples, screws, and the like, and also by adhesive glue. The outward faces of the metal members can be pre-formed with four longitudinal v-shaped or rounded edge ridges such that the contact surface area to applied sheathings is reduced by about 90%.

14 Claims, 10 Drawing Sheets



US 6,516,584 B1

Page 2

U.S. PATENT DOCUMENTS

				5,881,520 A	3/1999	Blazevic	
				5,950,385 A	9/1999	Herren	
				5,992,125 A	* 11/1999	Hardy 52/737.3
5,440,848 A	8/1995	Deffet					
5,452,556 A	9/1995	Taylor					
5,678,381 A	* 10/1997	DenAdel	52/730.1			
5,768,849 A	6/1998	Blazevic					* cited by examiner

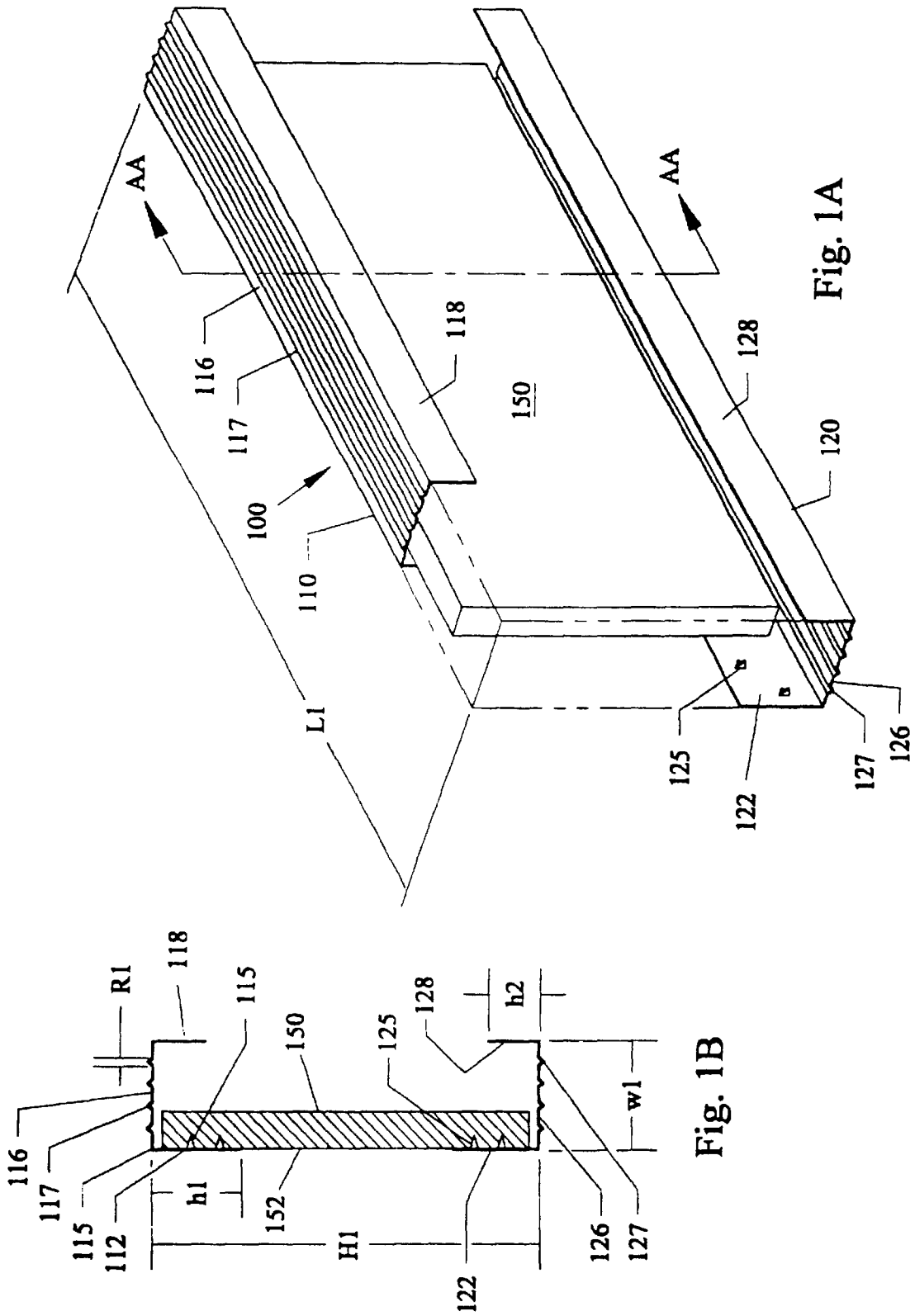


Fig. 1A

Fig. 1B

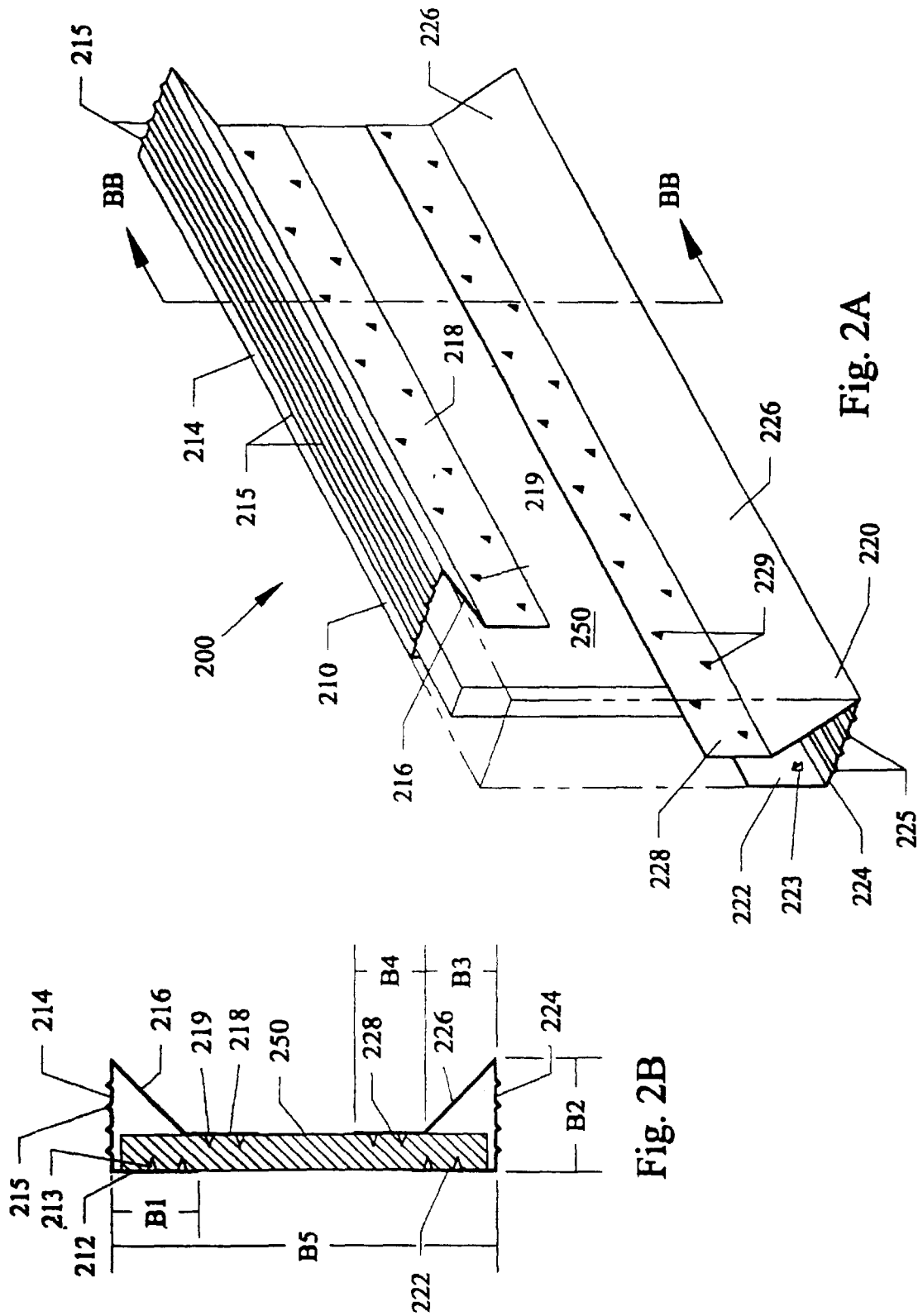


Fig. 2A

Fig. 2B

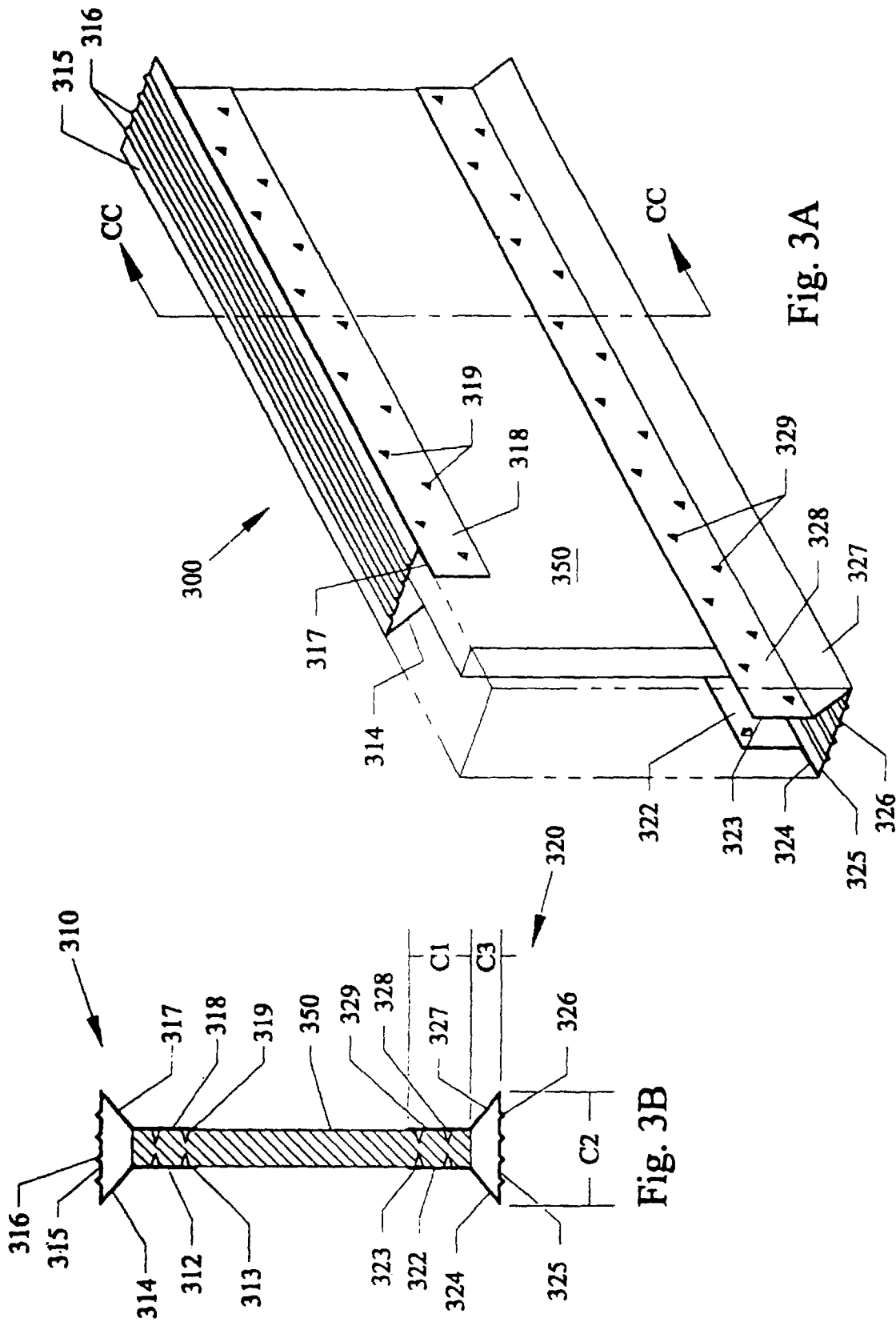


Fig. 3A

Fig. 3B

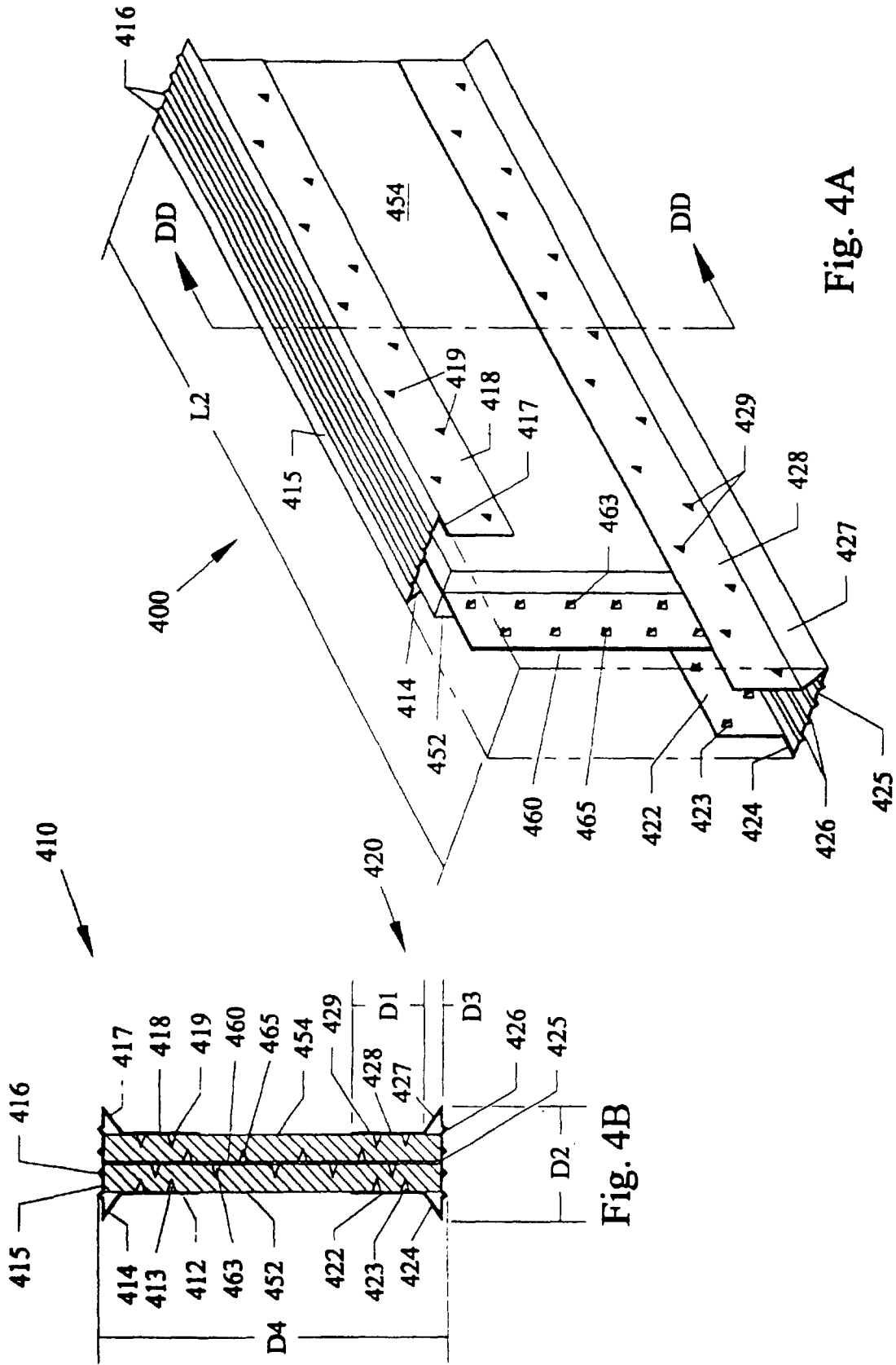


Fig. 4A

Fig. 4B

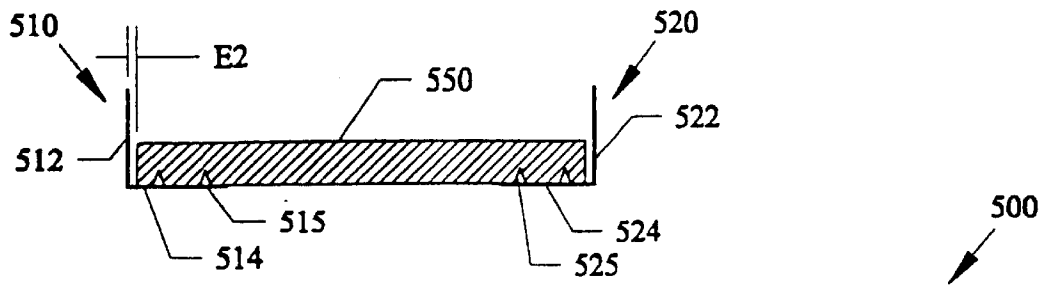


Fig. 5C

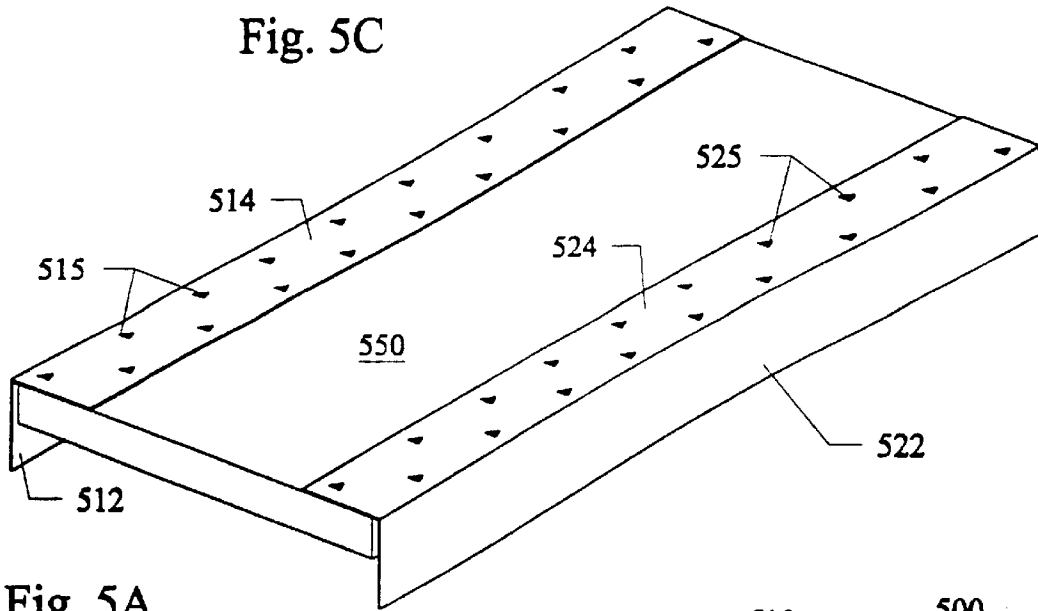


Fig. 5A

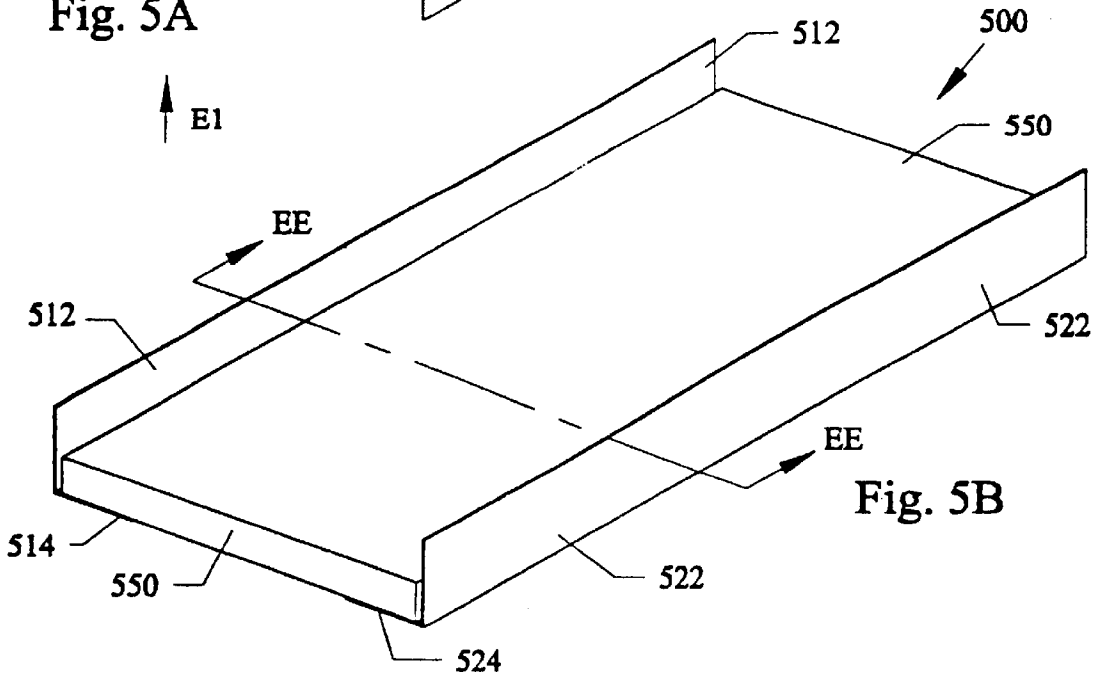


Fig. 5B

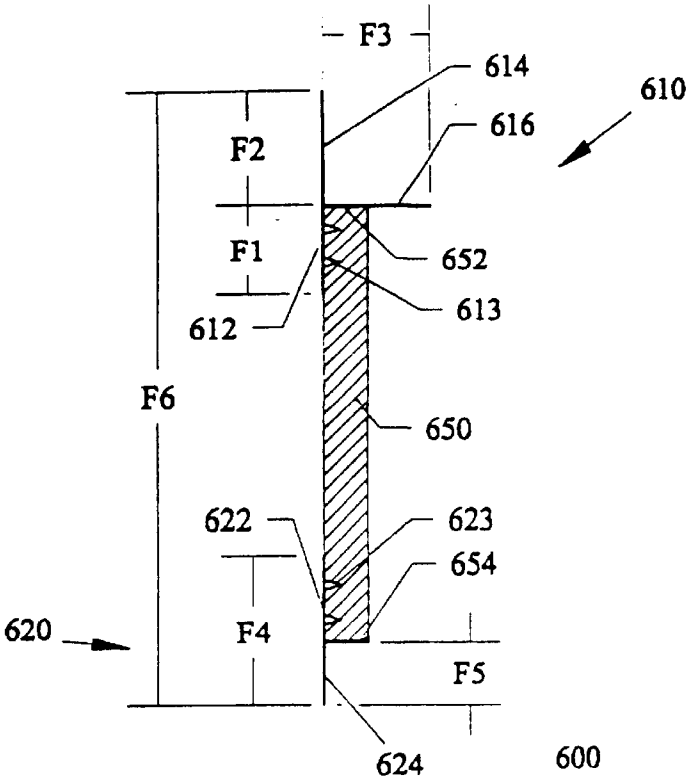


Fig. 6B

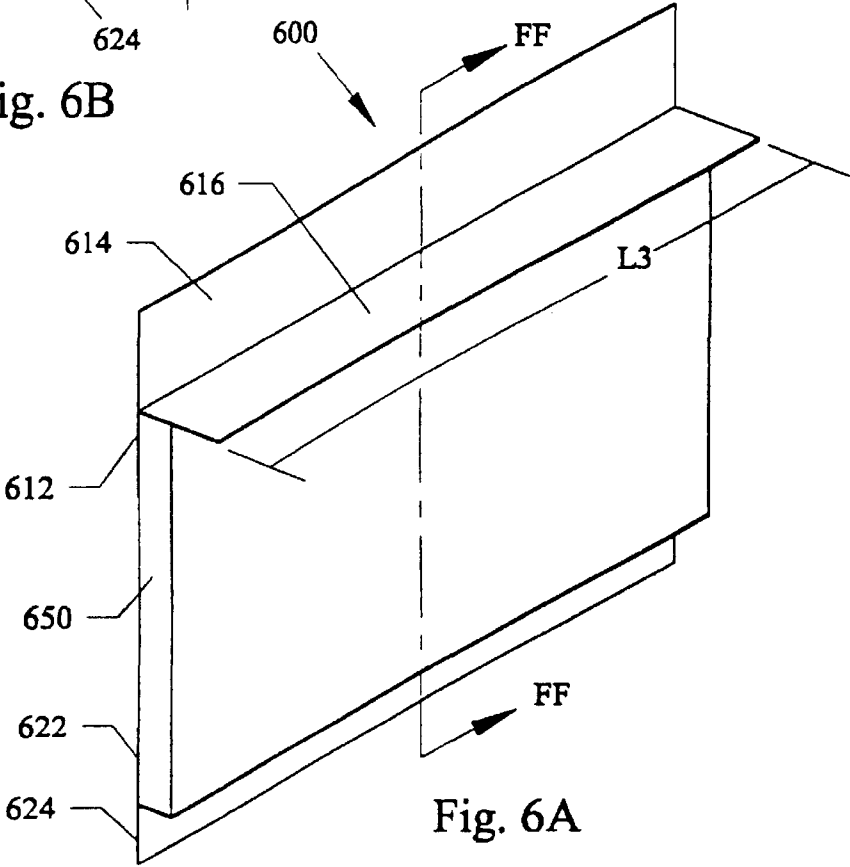


Fig. 6A

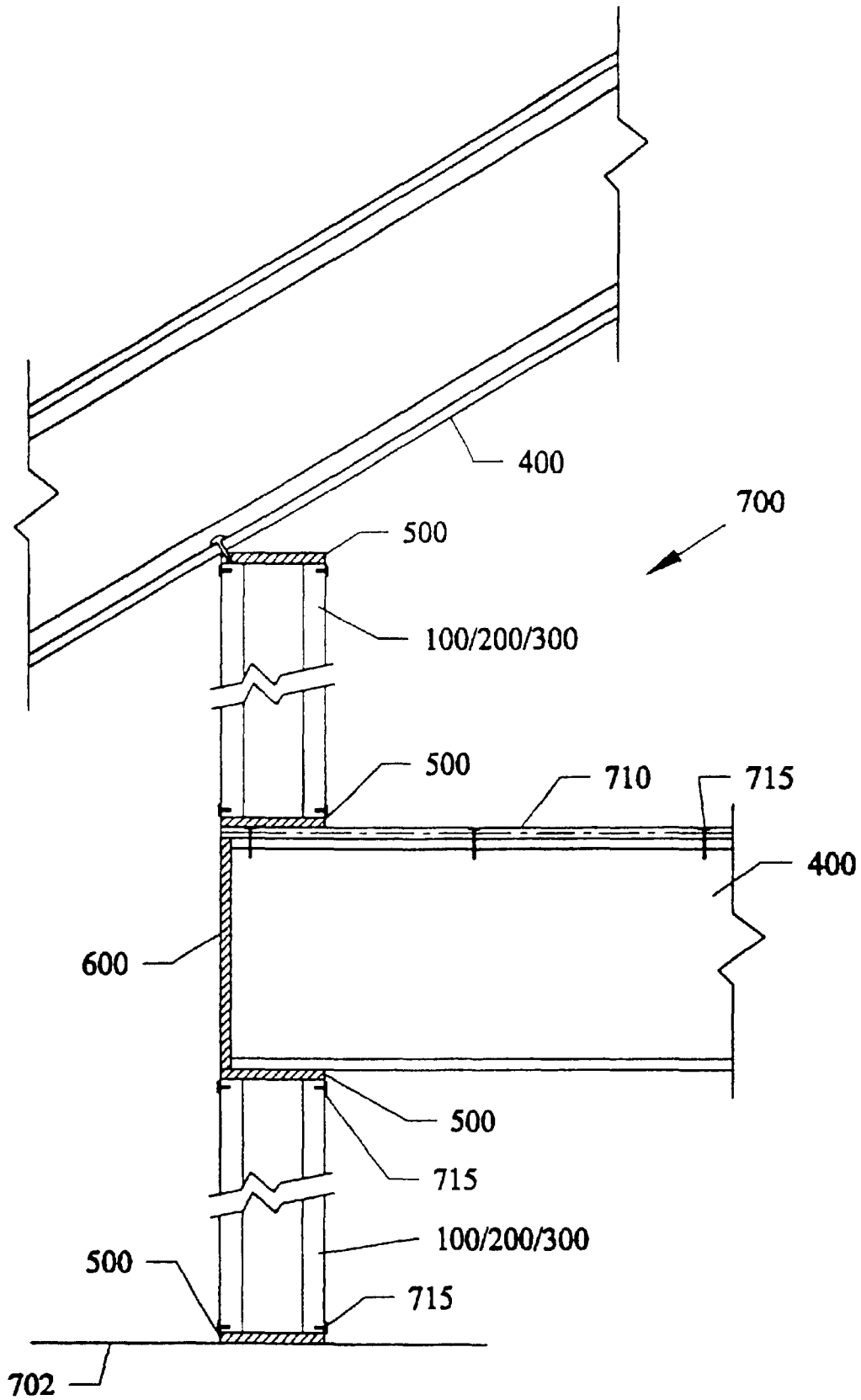


Fig. 7

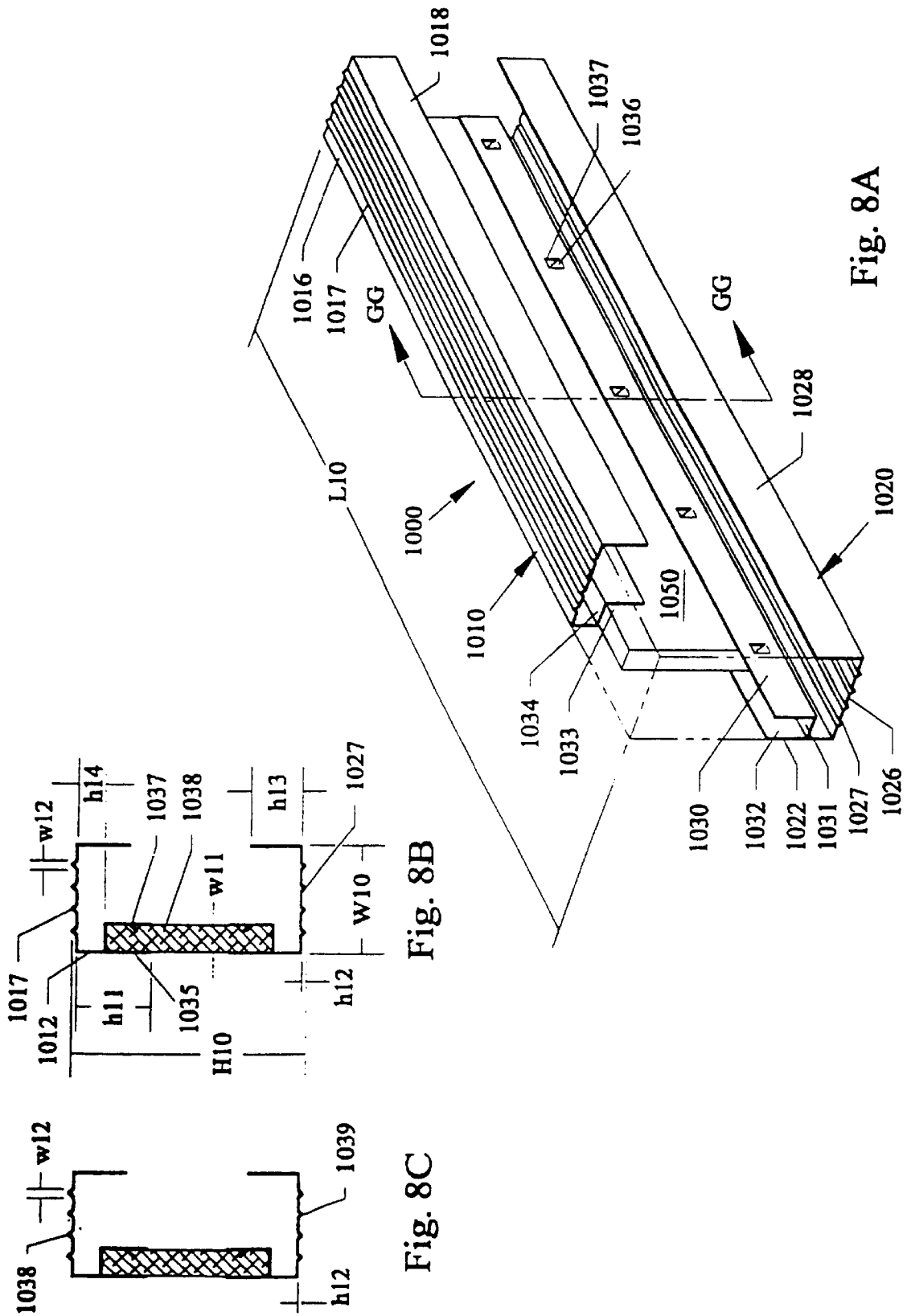


Fig. 8B

Fig. 8C

Fig. 8A

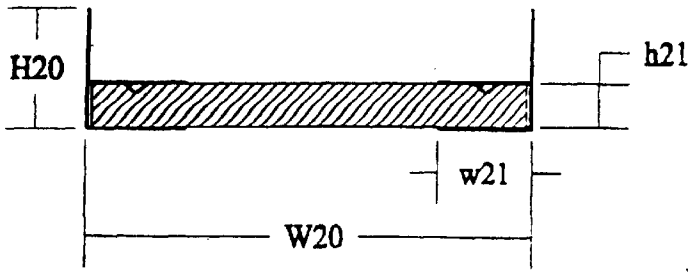


Fig. 9B

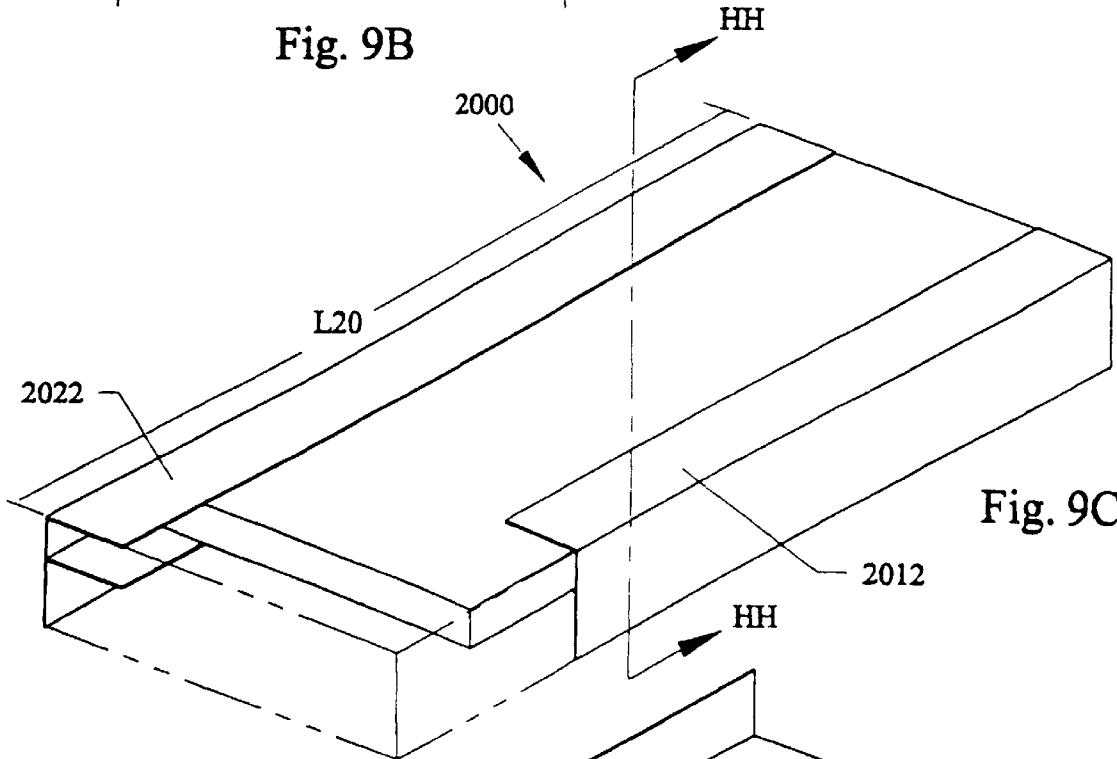


Fig. 9C

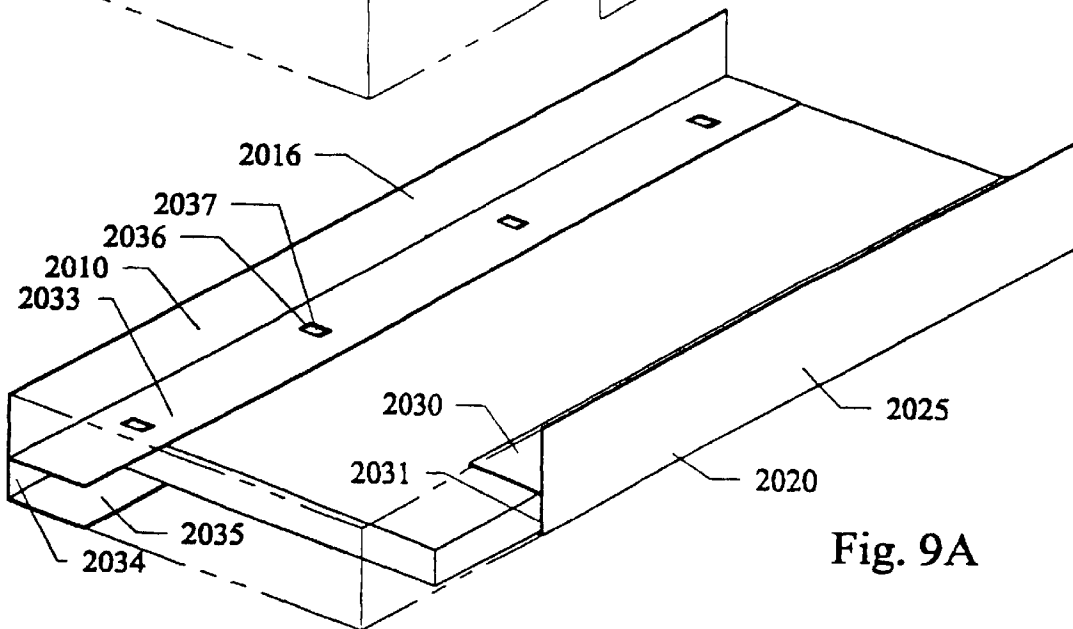


Fig. 9A

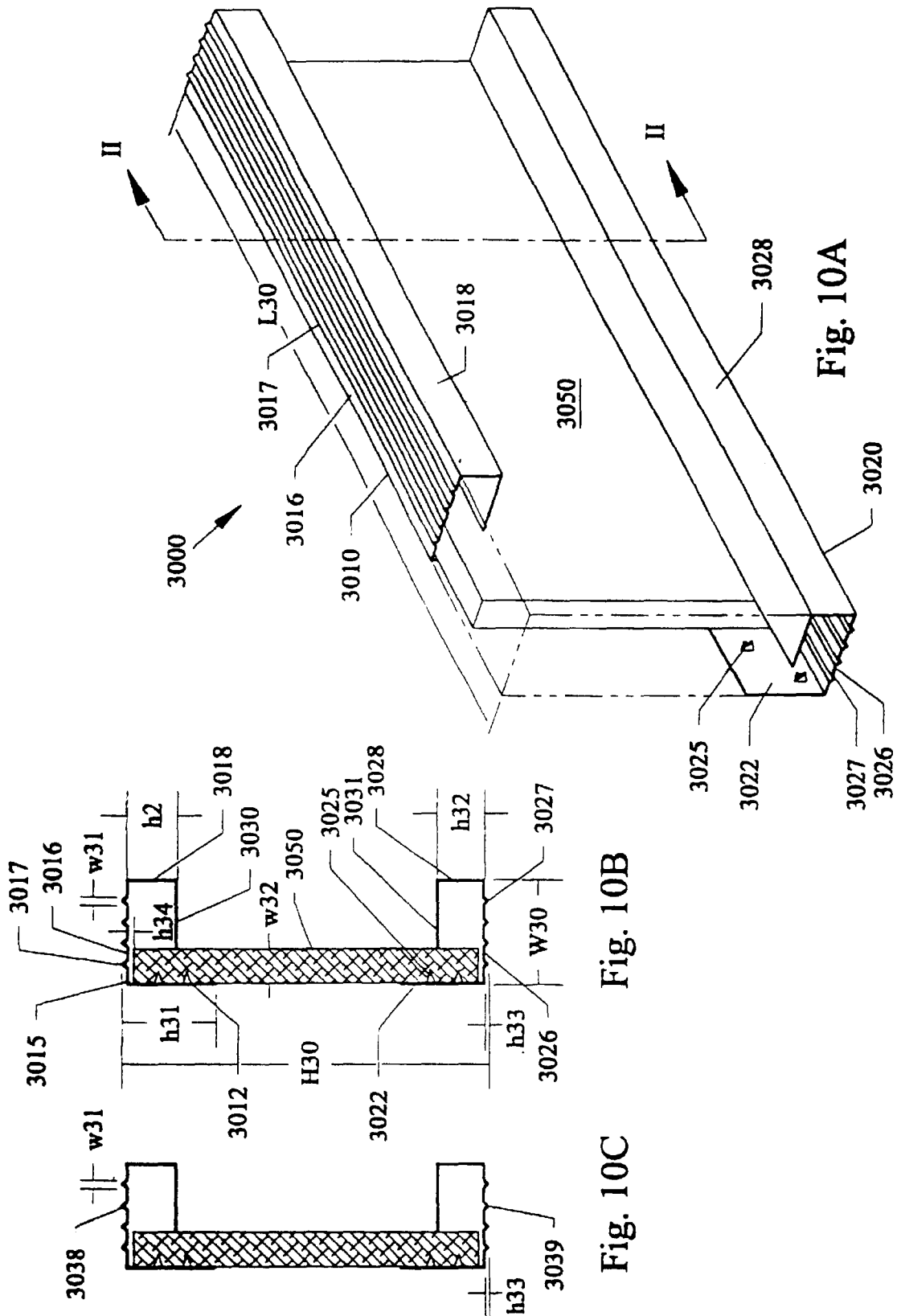


Fig. 10B

Fig. 10C

Fig. 10A

**ADDITIONAL METAL WOOD COMPOSITE
FRAMING MEMBERS FOR RESIDENTIAL
AND LIGHT COMMERCIAL
CONSTRUCTION**

This invention relates to composite framing members, more specifically to studs and tracks from metal and wood composites. This invention is a division of Ser. No. 09/248,622 filed Feb. 11, 1999, now U.S. Pat. No. 6,250,042, which is a Continuation-In-Part of U.S. applications Ser. No. 08/974,898 filed Nov. 20, 1997 now Issued as U.S. Pat. No. 5,921,054, Ser. No. 08/975,437 filed Nov. 21, 1997 now Issued as U.S. Pat. No. 5,881,529; Ser. No. 08/975,642 filed Nov. 21, 1997 now Issued as U.S. Pat. No. 5,875,603; Ser. No. 08/976,107 filed Nov. 21, 1997 now Issued as U.S. Pat. No. 5,875,604; Ser. No. 08/976,151 filed Nov. 21, 1997 now Issued as U.S. Pat. No. 5,875,605 which are all divisional applications of Ser. No. 08/664,662 filed Jun. 17, 1996, now abandoned.

BACKGROUND AND PRIOR ART

Residential and light commercial construction generally use wood lumber as the primary building material for studs, plates, joists, headers and trusses. However, wood lumber construction has problems. The rapidly rising cost of raw wood supplies has in effect substantially raised the cost of these members. Further, the quality of available framing lumber continues to decline. Finally, wood is flammable and susceptible to insects and rot.

Due to these problems, many builders have been switching to light gauge steel framing. The costs between using wood or steel framing is getting closer. In January 1990, the cost of framing lumber was about \$225 per thousand board feet, peaking to highs of \$500 in both January, 1993 and January 1994. Since June 1995, the framing lumber composite price has been rising from \$300 per thousand board feet. Estimates from the AISI and NAHB Research Center state at a framing lumber cost of \$340 to \$385, there would be no difference between the cost of framing a house in steel as compared in wood. Thus, the break-even point between wood and steel framing is at about \$360 per thousand board feet of framing lumber, and the lumber price has exceeded that point several times in recent years by as much as 40%, giving steel a competitive advantage.

Recycling has additionally helped the cost of steel to remain on a stable or downward trend. Steel costs have varied little in recent years. Traditionally variations can be correlated to steel demand by the automobile industry, when demand is high, steel usually increases slightly in price. Consequently, the use of metal framing in residential and light commercial construction is increasing, a trend recognized and encouraged by the American Iron and Steel Institute (AISI).

Steel studs, tracks and trusses are commonly manufactured by industry by companies such as Deitrich, Unimast, Alpine, Tri-Chord, HL Stud, Truswall Systems, Techbuilt, Knudson, John McDonald, and MiTek.

A problem with steel framing is its high thermal conductivity, leading to thermal bridging, "ghosting", and greater potential for water vapor condensation on interior wall surfaces. "Ghosting" is when an unsightly streak of dust accumulates on the interior wallboard, where the steel studs lie behind, due to an acceleration of dust particles toward the colder surface. Another problem of using steel framing is the increased energy use for space conditioning (heating and cooling). Metal used for exterior framing members allows

greater conduction heat transfer between the outside and inside surfaces of a wall, roof or floor. In colder climates, this increased conduction can cause condensation in interior surfaces, contributing to material degradation and mold and mildew growth. Metal framing also decreases the effectiveness of insulation installed in the cavity between the metal framing due to increased three-dimensional thermal short circuiting effects. Higher sound transmission is another disadvantage of metal framing since sound conductivity is greater in metal than in wood. Electricians have more difficulty working with steel framing for running wiring since its more difficult to cut holes in steel than in wood, and grommets or conduits must be used to protect the wire.

U.S. Pat. No. 5,768,849 to Blazevic describes a "composite structural post", title, having L-shaped metal members on sides of stud members, FIG. 3. However, L-shaped legs are directly connected to the side edges of the wood stud base, and are not structurally wrapped about side edges of the wood stud bases. The orientation of the L shaped legs would not adequately increase the thermal resistance over single wood material stud members, nor have a greater axial load capability over single wood material stud members, nor substantially reduce interior condensation and ghosting. The embodiments covering using cap shaped metal members in FIGS. 6, 6A, 7 and 7A are limited to using only the metal cap shapes in a longitudinal position as corner posts, and also would not adequately increase the thermal resistance over single wood material stud members, nor substantially reduce interior condensation and ghosting.

U.S. Pat. No. 5,285,615 to Gilmour describes a thermal metallic building stud. However, the Gilmour member is entirely formed from metal. In Gilmour, the thermal conductivity is only partially reduced by having raised dimples on the ends contacting other building materials.

U.S. Pat. No. 4,466,225 to Hovind describes a "stud extenders", title, that is limited to converting a "2x4 . . . into a 2x6", abstract. However, Hovind is limited to putting their metal side "extender" on one side of a "2x4", and thus would not adequately increase the thermal resistance over single wood material stud members, nor have a greater axial load capability over single wood material stud members, nor substantially reduce interior condensation and ghosting.

U.S. Pat. No. 3,960,637 to Ostrow describes impractical metal and wood composites. Ostrow requires each end flange have tapered channels, the end flanges being formed from extruded aluminum, molded plastic and fiberglass. Ends of the vertical wood web must be fit and pressed into a tapered channel. Besides the difficulty of aligning these parts together, other inherent problems exist. Extruding the channel flanges from aluminum or using molds, cuts and rolling to create the channelled plastic and fiberglass end flanges is expensive to manufacture. To stabilize the structures. Ostrow describes additional labor and manufacturing costs of gluing members together and sandwiching mounting blocks on the outsides of each channel.

Other metal and wood framing member patents of related but less significant interest include: U.S. Pat. No. 5,452,556 to Taylor; U.S. Pat. No. 5,440,848 to Deffet; U.S. Pat. No. 5,072,547 to DiFazio; U.S. Pat. No. 5,024,039 to Karhumaki; U.S. Pat. No. 4,875,316 to Johnston; U.S. Pat. No. 4,301,635 to Neufeld; U.S. Pat. No. 4,274,241 to Lindal; U.S. Pat. No. 4,031,686 to Sanford; U.S. Pat. No. 3,566,569 to Coke et al.; U.S. Pat. No. 3,531,901 to Meechan; U.S. Pat. No. 3,310,324 to Boden.

SUMMARY OF THE INVENTION

The first objective of the present invention is to provide metal and wood composite wall stud that increases the total

thermal resistance of a typical steel framed insulated wall section by some 43 percent and would eliminate interior condensation and “ghosting” for all but the coldest regions of the United States.

The second object of this invention is to provide metal and wood composite framing combinations that achieve a resource efficient and economic construction framing member. Metal is used for its high strength, and potentially lower cost and resource efficiency through recycling. Wood is used primarily for its lower thermal conductivity and for its availability as a renewable resource, and for its workability.

The third object of this invention is to provide metal and wood composite framing members that allow electricians to be able to route wires through walls in the same way they are accustomed to doing with solid framing lumber.

The fourth object of this invention is to provide metal and wood composite framing members that would be easy to manufacture.

The fifth object of this invention is to provide metal and wood composite framing members that have low sound conductivity compared to prior art steel framing members.

The sixth object of this invention is to provide metal and wood composite framing members that have reduced effects from flammability compared to all wood members.

The invention includes J-shaped, P-shaped, L-shaped, triangular shaped cross-sectional metal forms connected by a wood midsection, whereby the wood is fastened to the metal by machine pressing of the metal to wood, similar to the common truss plate, or by nails, staples, screws, or other mechanical fastening means, or by adhesive glue. The outward faces of the metal members can be pre-formed with longitudinal ridges such that the contact surface area to applied sheathings is reduced by about 90%.

Metal and wood composites are used to create framing members (studs and tracks, joists and bands, headers, rafters, and the like) for light-weight construction. Metal is utilized for its high strength, resistance to rot and insects, cost stability, and potentially lower cost through recycling. Wood is used primarily for its lower thermal conductivity, and availability. The metal components form the primary structure while wood, either solid or other engineered wood, provides some structure and a thermal break.

Metal and wood composite framing members can be used in place of conventional wood framing members such as: 2x4 and 2x6 wall studs, and 2x8, 2x10, 2x12 and other dimensions of roof rafters, floor joists and headers. The novel framing members can be used to replace conventional light-gauge steel framing to reduce thermal transmittance and sound transmission.

Further objects and advantages of this invention will be apparent from the following detailed description of a presently preferred embodiment which is illustrated schematically in the accompanying drawings.

BRIEF DESCRIPTION OF THE FIGURES

FIG. 1A is a perspective isometric view of a first preferred embodiment metal and wood stud.

FIG. 1B is a cross-sectional view of the embodiment of FIG. 1A along arrow AA.

FIG. 2A is a perspective isometric view of a second preferred embodiment metal and wood stud.

FIG. 2B is a cross-sectional view of the embodiment of FIG. 2A along arrow BB.

FIG. 3A is a perspective isometric view of a third preferred embodiment metal and wood stud.

FIG. 3B is a cross-sectional view of the embodiment of FIG. 3A along arrow CC.

FIG. 4A is a perspective isometric view of a fourth preferred isometric view of a fourth preferred embodiment metal and wood joist, rafter and header.

FIG. 4B is a cross-sectional view of the embodiment of FIG. 4A along arrow DD.

FIG. 5A is a top perspective view of a fifth embodiment track for metal and wood stud systems.

FIG. 5B is a bottom view of the embodiment of FIG. 5A along arrow EI.

FIG. 5C is a cross-sectional view of the embodiment of FIG. 5B along arrow EE.

FIG. 6A is a perspective view of a sixth preferred embodiment metal and wood band.

FIG. 6B is a cross-sectional view of the embodiment of FIG. 6A along arrow FF.

FIG. 7 is a cross-sectional view a framing system utilizing the embodiments of FIGS. 1A–6B.

FIG. 8A is a perspective view of a seventh preferred embodiment metal-wood stud.

FIG. 8B is a cross-sectional view of the embodiment of FIG. 8A along arrow GG.

FIG. 8C is another cross-sectional view of FIG. 8A along arrow GG with circular ridges.

FIG. 9A is a top view of a eighth preferred embodiment metal-wood top and bottom track.

FIG. 9B is a cross-sectional view of the embodiment of FIG. 9A along arrow HH.

FIG. 9C is a bottom view of the top metal-wood top and bottom track of FIG. 9A.

FIG. 10A is a perspective view of a ninth preferred embodiment metal-wood stud.

FIG. 10B is a cross-sectional view of the embodiment of FIG. 10A along arrow II.

FIG. 10C is another cross-sectional view of FIG. 10A along arrow II with circular ridges.

DESCRIPTION OF THE PREFERRED EMBODIMENT

Before explaining the disclosed embodiment of the present invention in detail it is to be understood that the invention is not limited in its application to the details of the particular arrangement shown since the invention is capable of other embodiments. Also, the terminology used herein is for the purpose of description and not of limitation.

The preferred method of calculating thermal transmittance for building assemblies with integral steel is the zone method published by the American Society of Heating Refrigeration and Air-Conditioning Engineers (ASHRAE). A recent study by the National Association of Home Builders Research Center and Oak Ridge National Laboratory verified the usefulness of the zone method for calculating thermal transmittance for light gauge steel walls.

Thermal transmittance calculations were completed using the zone method for the metal and wood stud invention embodiments. Table 1 shows a comparison of thermal transmittance (given as total R-value) for nine wall configurations. The first wall listed is a conventional 2x4 wood frame wall with ½" plywood sheathing and R-11 fiberglass

cavity insulation. The total wall R-value is 13.2 hr-Ft²/Btu, the second and third walls listed are conventional metal stud walls, one with 1/2" plywood sheathing (R-7.9) and the other with 1/2" extruded polystyrene sheathing (R-11.4). With conventional metal studs, high resistivity insulated sheathings is necessary to limit the large loss of total thermal resistance when low resistivity sheathings are used. In some cases, it is not desirable to use the non-structural insulated sheathing, such as when brick ties are needed, or when higher racking resistance is needed.

In comparison, the metal and wood stud walls corresponding to those described in the subject invention has a 43 percent greater total R-value than the conventional metal stud wall when using plywood sheathing. Thermal performance of the metal and wood stud wall with plywood sheathing is nearly the same as the conventional wall with 1/2" extruded polystyrene (XPS insulated sheathing). Where non-structural sheathing is acceptable, fiber board sheathing, which is much less expensive than plywood, further increases the total R-value of the metal and wood stud wall.

TABLE 1

COMPARISON OF THERMAL TRANSMITTANCE FOR CONVENTIONAL METAL STUD WALL AND NOVEL METAL AND WOOD STUD WALL					
Description	Stud Size Inch	Stud Spacing Inch O.C.	Cavity Insulation	Exterior Sheathing	Total R-Value
1. Conventional metal stud*	1.625 x 3.625	24	R-11	1/2" plywood	7.9
2. Conventional metal stud*	1.625 x 3.625	24	R-11	1/2" XPS	11.4
3. Novel metal and wood stud	1.5 x 3.5	24	R-11	1/2" plywood	11.3
4. Novel metal and wood stud	1.5 x 3.5	24	R-13	1/2" plywood	12.8
5. Novel metal and wood stud	1.5 x 3.5	24	R-15	1/2" plywood	14.2
6. Novel metal and wood stud	1.5 x 3.5	24	R-11	1/2" fiber board	12.1
7. Novel metal and wood stud	1.5 x 3.5	24	R-13	1/2" fiber board	13.6
8. Novel metal and wood stud	1.5 x 3.5	24	R-15	1/2" fiber board	15.0

*Conventional metal stud values from Thermodesign Guide for Exterior Walls, American Iron and Steel Institute, Washington, D.C., Pub. No. RG-9405, Jan. 1995.

Summary calculation results compared the allowable axial load for stud elements subjected to combined loading with axial and bending components. The three elements analyzed were a conventional 2x4 wood, a conventional 20 gauge steel stud, and the present invention metal and wood composite stud. All elements were 8' tall, and spaced 16" O.C. Wind (transverse) load at 110 mph. Table 2 shows that the metal and wood composite section can support 54% more weight than the metal stud, and 250% more weight than the wood stud. This gives the opportunity for further cost optimization by increasing the spacing which would reduce the number of studs required, or for reducing the amount of steel used in the composite section.

TABLE 2

STRUCTURAL CALCULATION RESULTS FOR NOVEL METAL AND WOOD			
STUD	2 x 4 Wood Stud	3.5" 20 Gauge Metal Stud	3.5" Metal and wood Composite Section
<u>Allowable Axial Load</u>			
8' tall stud 16" O.C. 110 mph wind	551 lb	894 lb	1378 lb

Comparison of vertical, transverse, and racking load capacities of 2x4 wood stud, metal stud, and subject invention wood/metal composite stud. Structural analysis by Kim McLeod, P.E. Of Keymark Enterprises, Boulder, Colo.

FIG. 1A is a perspective isometric view of a first preferred embodiment metal and wood stud 100. FIG. 1B is a cross-sectional view of the embodiment 100 of FIG. 1A along arrow AA. Referring to FIGS. 1A-1B, embodiment 100 includes metal forms 110, 120 such as but not limited to 20 gauge steel has been cold-formed in a roll press into a cross-sectional channel Jshape. Each form 110,120 includes steel web portions 112, 122 that have staggered rows of cutout portions 115, 125 which are of a pressed tooth type triangular shape. Web portions 112, 122 are perpendicular to flanges 116, 126 which include approximately 4 rows of raised V-shaped grooves 117, 127 running longitudinally along the exterior of the flanges 116, 126. Flanges returns 118, 128 are perpendicular to flanges 116, 126. Teeth 115, 125 can be hydraulically pressed adjacent the top and bottom rear side 152 of central web board 150. Central web board 150 can be solid wood, OSB, (oriented strand board) plywood and the like, having a thickness of approximately 1/2 an inch. Alternatively, web portions 112, 122 offforms 110, 120 can be fastened to the central web board 150 by nails, screws, staples and the like, or adhesively glued. A finished metal and wood stud 100 can have a length, L L of approximately 8 feet or longer, height HI of approximately 3.5 to 5.5 inches, width WI of approximately 1.5 inches. Web portions 112, 122 can have a height, h1 of approximately 1.125 inches, front plate height, h2 of approximately 0.75 inches, raised grooves RI, of approximately 0.125 inches. A spacing, xI of approximately 0.125 inches separates each flange 116,126 from the top and bottom of central web board 150.

FIG. 2A is a perspective view of a second preferred embodiment metal and wood stud 200. FIG. 2B is a cross-sectional view of the embodiment 200 of FIG. 2A along arrow BB. Referring to FIGS. 2A-2B, embodiment 200 includes metal forms 210, 220 such as but not limited to 20 gauge steel that has been roll pressed into a cross-sectional channel right-triangular-shape. Each form 210, 220 includes outer web portions 212, 222 that have staggered rows of cut-out portions 213, 223 which are of a pressed tooth type triangular shape. Outer web portions 212, 222 are perpendicular to flanges 214, 224 which include approximately 4 rows of raised V-shaped grooves 215, 225 running longitudinally along their exterior surface. Flange returns 216, 226 are approximately 45 degrees to flanges 214, 224, and are connected to inner web portions 218, 228 each having staggered rows of cut-out portions 219, 229 which also are of the pressed tooth type triangular shape. Teeth 213, 219 and 223, 229 can be firmly pressed adjacent the top and bottom of central web board 250. Central web board 250 can be solid wood, OSB, plywood and the like, having a thickness of approximately 1/2 an inch. Alternatively, web

portions **212, 218, 222, 228** can be fastened to the central web board **250** by nails, screws, staples and the like. Outer web portions **212, 222** can have a height, **B1** of approximately 1.1625 inches, flanges **214, 224** can have a width, **B2** of approximately 1.5 inches, flange returns **216, 226** can have a height, **B3** of approximately 0.925 inches and inner web portions **218, 228** can have a height, **B4** of approximately 1 inch. A finished metal and wood stud **200** can have the remaining dimensions and spacings similar to the embodiment **100** previously described, except height, **B5** can be approximately 5.5 to approximately 7.25 inches.

FIG. **3A** is a perspective isometric view of a third preferred embodiment metal and wood stud **300**. FIG. **3B** is a cross-sectional view of the embodiment **300** of FIG. **3A** along arrow **CC**. Referring to FIGS. **3A–3B**, embodiment **300** includes metal forms **310, 320** such as but not limited to 20 gauge steel has been roll pressed into a cross-sectional channel triangular-shape with parallel plates on the apex of the triangle. Each form **310, 320** includes metal web portions **312, 322, 318, 328** that have staggered rows of cut-out portions **313, 323, 319, 329** which are of a pressed tooth type triangular shape. Web portions **312, 322, 318, 328** attach to 45 degree flange returns **314, 324** which are attached to respective flanges **315, 325** which include approximately 4 rows of raised V-shaped grooves **316, 326** running longitudinally along their exterior surface. Teeth **313, 319** and **323, 329** can be pressed adjacent the top and bottom of central web board **350**. Central web board **350** can be solid wood, OSB, plywood and the like, having a thickness of approximately ½ an inch. Alternatively, metal web portions **312, 318, 322, 328** can be fastened to the central web board **350** by nails, screws, staples and the like. Metal web portions **312, 318, 322, 328** can have a height, **C1** of approximately 0.875 inches, flanges **315, 325** can have a width, **C2** of approximately 1.5 inches, flange returns **314, 317, 324, 327** can have a height, **C3** of approximately 0.4625 inches. A finished metal and wood stud **300** can have remaining dimensions and spacings similar to the embodiment **200** previously described.

FIG. **4A** is a perspective isometric view of a fourth preferred embodiment **400** useful as a metal and wood joist, rafter and header. FIG. **4B** is a cross-sectional view of the embodiment **400** of FIG. **4A** along arrow **DD**. Referring to FIGS. **4A–4B**, embodiment **400** includes metal forms **410, 420** such as but not limited to 20 gauge steel has been roll pressed into a cross-sectional channel triangular-shape with parallel plates on the apex of the triangle. Each form **410, 420** includes metal web portions **412, 422, 418, 428** that have staggered rows of cut-out portions **413, 423, 419, 429** which are of a pressed tooth type triangular shape. Metal web portions **412, 422, 418, 428** attach to 45 degree flange returns **414, 424, 417, 427** which are attached to respective flanges **415, 425** which include approximately 4 rows of raised V-shaped grooves **416, 426** running longitudinally along their exterior surface. Teeth **413, 419** and **423, 429** can be pressed adjacent the top and bottom portions of central web boards **452, 454**. A central metal plate **460** has left facing tooth rows **463** and right facing tooth rows **465** for connecting to adjacent respective web boards **452, 454**. Plate **460** has a spacing above and below to separate such from flanges **415, 425**. Central web boards **452, 454** can be solid wood, OSB, plywood and the like, having a thickness of approximately 0.375 inches. Alternatively, metal web portions **412, 418, 422, 428** can be fastened to the central web boards **452, 454** by nails, screws, staples and the like. Metal web portions **412, 418, 422, 428** can have a height, **D1** of approximately 1.0188 inches, flanges **415, 425** can have a

width, **D2** of approximately 1.5 inches, flange returns **414, 417, 424, 427** can have a height, **D3** of approximately 0.3188 inches. A finished embodiment **400** can have practically any length, **L2** to serve as a floor joist, rafter or header, width **D2** can be approximately 1.5 inches and height **D4**, can be approximately 5.5 inches or more.

FIG. **5A** is a top perspective view of a fifth embodiment track **500** for metal and wood stud and track systems. FIG. **5B** is a bottom perspective view of the embodiment **500** of FIG. **5A** along arrow **E1**. FIG. **5C** is a cross-sectional view of the embodiment **500** of FIG. **5B** along arrow **EE**. Referring to FIGS. **5A–5C**, embodiment **500** includes metal forms **510, 520** each having a generally L-shaped cross-section. Forms **510, 520** each include flanges **512, 522** approximately 1.125 inches in height perpendicular to metal web portions **514, 524**, which are approximately 1.1625 inches in length. Metal web portions **514, 524** have tooth shaped triangular cut-outs **515, 525**, which are pressed into sides of center-web-board **550**. A spacing **E2** of approximately 0.125 inches separates the ends of center-web-board **550** from flanges **512, 522**, respectively. A finished embodiment **500** can have remaining dimensions and spacings similar to the embodiments **100, 200**, and **300** above.

FIG. **6A** is a perspective view of a sixth preferred embodiment metal and wood joists and bands **600**. FIG. **6B** is a cross-sectional view of the embodiment **600** of FIG. **6A** along arrow **FF**. Referring to FIGS. **6A–6B**, embodiment **600** includes top metal form **610** having a T-cross-sectional shape and lower metal form **620** having a straight line cross-sectional shape. Form **610** includes metal web portion **612**, having a length, **F1** of approximately 1.0375 inches having tooth shaped triangular cut-outs **613** which are pressed into upper end sides of wood center web board **650**. Form **610** further includes an upright leg **614** having a length **F2** of approximately 1.3 inches, perpendicular to a third leg **616**, having a length, **F3** of approximately 1.25 inches, which abuts against and overlaps top end **652** of centerboard **650**. Lower metal form **620** has a metal web portion **622** having tooth shaped triangular cut-out **623** which are pressed into upper end sides of wood center board **650**, and a continuous extended plate **624**. The continuous width **F4**, of metal plate **622, 624** is approximately 1.75 inches, with plate **624** extending a length **F5** of approximately 0.75 inches from the lower end **654** of center-web-board **650** having thickness of approximately 0.5 inches. A finished embodiment **600** can have a width **F6** and length **L3** similar to embodiment **400**.

FIG. **7** is a cross-sectional view a framing system **700** utilizing the embodiments of FIGS. **1A–6B**. Embodiment **700** can be a two story building having a metal and wood bottom track **500** attached at floor **702** by conventional fasteners such as nails, screws, bolts and the like. Vertically oriented metal and wood studs **100/200/300** can be attached to floor and ceiling tracks **500** by steel framing screws **715** and the like. A metal and wood band **600** attaches first floor ceiling track **500** to metal and wood floor joist **400** and subfloor **710**, which has conventional steel framing flathead type screws **716** and the like. The second floor has a similar arrangement with rafters **400** attached at conventional angles to upper metal and wood top track **500**.

A cost of a metal and wood composite stud such as those described in the previous embodiment **100** is estimated to be \$4.24. The lowest cost of conventional 20 gauge steel studs is \$2.52 each, however, to obtain the same thermal performance, an insulated sheathing is required which raises the cost to \$4.55 per stud. The metal and wood framing member's invention is directly cost effective compared to the

conventional metal stud. In addition, structural calculations show that the metal and wood stud configuration can support 54% more weight at the same 8' wall height, 16" O.C. spacing, and 110 mph wind load. This give opportunity for further cost optimization by increasing the spacing which would reduce the number of studs required. For example, a 2000 square foot house framed 16" O.C. will have about 168 conventional steel exterior wall studs, the same house framed 24" O.C. with the stronger metal and wood composite exterior wall studs will use only 107 studs. With 61 fewer exterior wall studs required, the builder can save about \$270.

Metal-Wood Stud Adhesive Pocket Configuration

FIG. 8A is a perspective view of a seventh preferred embodiment metal-wood stud **1000**. FIG. 8B is a cross-sectional view of the embodiment **1000** of FIG. 8A along arrow GG. Referring to FIGS. 8A–8C, embodiment **1000** includes metal forms **1010**, **1020** such as but not limited to 20 gauge galvanized steel that has been cold-formed into a cross-sectional channel J-shape with integral U-shape. Each form **1010**, **1020** includes metal web portions **1012**, **1022**. Metal web portions **1012**, **1022** are perpendicular to flanges **1016**, **1026** which may include approximately four rows of V-shaped ridges **1017**, **1027**, or approximately four rows of semi-circular ridges **1038**, **1039** running longitudinally along the exterior of the flanges **1016**, **1026**. Lip portions **1018**, **1028** are perpendicular to flanges **1016**, **1026**. Integral U-shaped adhesive pockets are made up of portions **1030**, **1031**, **1032**, **1033**, **1034**, **1035**. Central web board **1050** can be OSB (oriented strand board), plywood, solid wood, plastic, fiber reinforced plastic, fiber reinforced cementitious material and the like, having thickness of approximately $\frac{3}{8}$ to approximately $\frac{1}{2}$ inch. Adhesive pocket portions **1030**, **1031**, **1032**, **1033**, **1034**, **1035** can be adhesively fastened to the central web board **1050** and metal tabs **1036**, **1037**, pressed from metal web portions **1012**, **1022** and adhesive pocket portions **1030**, **1032**, **1033**, **1035** protrude into central web board **1050** in such a way as to keep the central web board from withdrawing from the adhesive pockets. Alternatively, adhesive pocket portions **1030**, **1031**, **1032**, **1033**, **1034**, **1035** can be mechanically fastened to the central web board **1050** by screws, nails, rivets, pins and the like. A finished metal-wood stud **1000** can have a length, **L10**, of approximately 8 feet or longer, height **h10** of approximately 3.5 to approximately 5.5 inches, and width **w10** of approximately 1.5 inches. Metal web portions **1012**, **1022** can have a height, **h11**, of approximately 1.125 inches, lip height, **h13**, of approximately 0.75 inches, raised grooves height, **h12**, of approximately 0.0625 inches, raised grooves width, **w12**, of approximately 0.125 inches. A spacing, **h14**, of approximately 0.375 inches separates each flange **1016**, **1026** from the adhesive pocket portions **1031**, **1034**. Adhesive pocket portions **1031**, **1034** can have a width, **w11**, of approximately 0.375 to approximately 0.5 inches to match the thickness of central web board **1050**.

Metal-Wood Top and Bottom Track Adhesive Pocket Configuration

FIG. 9A is a top perspective view of an eighth preferred embodiment metal-wood top and bottom track **2000**. FIG. 9C is a bottom perspective view of metal-wood top and bottom track **2000**. FIG. 9B is a cross-sectional view of the embodiment **2000** of FIG. 9A along arrow HH. Referring to FIGS. 9A–9B, embodiment **2000** includes metal forms **2010**, **2020** such as but not limited to 20 gauge galvanized steel that has been cold-formed into a cross-sectional channel L-shape with integral U-shape. Each form **2010**, **2020** includes metal web portions **2012**, **2022**. Metal web portions

2012, **2022** are perpendicular to flanges **2016**, **2026**. Integral U-shaped adhesive pockets are made up of portions **2030**, **2031**, **2032**, **2033**, **2034**, **2035**. Central web board **2050** can be OSB (oriented strand board), plywood, solid wood, plastic, fiber reinforced plastic, fiber reinforced cementitious material and the like, having thickness of approximately $\frac{3}{8}$ to approximately $\frac{1}{2}$ inch. Adhesive pocket portions **2030**, **2031**, **2032**, **2033**, **2034**, **2035** can be adhesively fastened to the central web board **2050** metal tabs **2036**, **2037**, pressed from metal web portions **2012**, **2022** and adhesive pocket portions **2030**, **2032**, **2033**, **2035**, protrude into central web board **2050** in such a way as to keep the central web board from withdrawing from the adhesive pockets. Alternatively, adhesive pocket portions **2030**, **2031**, **2032**, **2033**, **2034**, **2035** can be mechanically fastened to the central web board **2050** by screws, nails, rivets, pins and the like. A finished metal-wood track **2000** can have a length, **L20**, of approximately 8 feet or longer, height **H20** of approximately 1.25 inches, and width **W20** of approximately 3.5 to approximately 5.5 inches. Metal web portions **2012**, **2022** can have a width, **w21**, of approximately 1.125 inches. Adhesive pocket portions **2031**, **2034** can have a height, **h21**, of approximately 0.375 to approximately 0.5 inches to match the thickness of central web board **2050**.

Metal-Wood Stud P-shape Configuration

FIG. 10A is a perspective view of a ninth preferred embodiment metal-wood stud **3000**. FIG. 10B is a cross-sectional view of the embodiment **3000** of FIG. 10A along arrow II. Referring to FIGS. 10A–10B, embodiment **3000** includes metal forms **3010**, **3020** such as but not limited to 20 gauge galvanized steel that has been cold-formed into a cross-sectional channel P-shape. Each form **3010**, **3020** includes metal web portions **3012**, **3022**. Metal web portions **3012**, **3022** are perpendicular to flanges **3016**, **3026** which can include approximately four rows of V-shaped ridges **3017**, **3027**, or approximately four rows of semi-circular ridges **3038**, **3039** (as shown in FIG. 10C) running longitudinally along the exterior of the flanges **3016**, **3026**. Lip portions **3018**, **3028** are perpendicular to flanges **3016**, **3026**. Lip returns **3030**, **3031** are perpendicular to lips **3018**, **3028** and parallel to flanges **3016**, **3026** and abut against central web board **3050** inhibiting the central web board **3050** from loosening from the metal web portions **3012**, **3022**. Central web board **3050** can be OSB (oriented strand board), plywood, solid wood, plastic, fiber reinforced plastic, fiber reinforced cementitious material and the like, having a thickness of approximately $\frac{3}{8}$ to approximately $\frac{1}{2}$ inch. A finished metal-wood stud **3000** can have a length, **L30** of approximately 8 feet or longer, height **H30** of approximately 3.5 to approximately 5.5 inches, and width **W30** of approximately 1.5 inches. Metal web portions **3012**, **3022** can have a height, **h31** of approximately 1.125 inches, lip height **h2**, of approximately 0.5 inches, raised grooves height **h33** of approximately 0.0625 inches, raised grooves width, **w31**, of approximately 0.125 inches. A spacing, **h34** of approximately 0.125 inches separates each flange **3016**, **3026** from the central web board **3050**.

While the invention has been described, disclosed, illustrated and shown in various terms of certain embodiments or modifications which it has presumed in practice, the scope of the invention is not intended to be, nor should it be deemed to be, limited thereby and such other modifications or embodiments as may be suggested by the teachings herein are particularly reserved especially as they fall within the breadth and scope of the claims here appended.

I claim:

1. A stud support member, the stud support member comprises:

a substantially vertically elongated web member having a first long end, a second long end opposite the first long end, a first short end and a second short end opposite the first short end, a first face and a second face opposite the first face, the web member formed from a first material;

a first form solely consisting of a first longitudinal flange adjacent to the first long end of the web member, the first flange being connected to the web member by a first U-shaped pocket for wrapping about a portion of both faces of the first long end of the web member, the first flange solely extending away from the web member; and

a second form solely consisting of a second longitudinal flange adjacent to the second long end of the web member, the second flange being connected to the web member by a second U-shaped pocket for wrapping about a portion of both faces of the second long end of the web member, the second flange solely extending away from the web member, wherein the first flange and the second flange each extend away from the web member in the same direction, and the first form and the second form being formed from a second material, so that the first material and the second material are dissimilar from one another, thereby increasing the thermal resistance, axial load capability, and reducing interior condensation and ghosting.

2. The stud support member of claim 1, wherein the first form and the second form are formed from metal, and the web member is formed from a material selected from the group consisting of wood, plastic, cement or composite.

3. The stud support member of claim 1, wherein the first flange and the second flange each include: parallel rows of V-shaped ridges.

4. The stud support member of claim 1, wherein the first flange and the second flange each include: parallel rows of semi-circular rounded ridges.

5. A track support member formed from mixed composite materials which is used for residential and light construction, the track support member comprises:

a substantially elongated web member having a first long end, a second long end opposite the first long end, a first short end and a second short end opposite the first short end, a first face and a second face opposite the first face, the web member being formed from a first material;

a first form consisting of a first longitudinal flange adjacent to the first long end of the web member, the first flange having a first long end and a second long end opposite the first long end, a first short end and a second short end opposite the first short end, the first long end of the first flange being connected to the web member by a first U-shaped pocket for wrapping about a portion of both faces of the first long end of the web member, the second long end solely extending away from the web member; and

a second form consisting of a second longitudinal flange adjacent to the second long end of the web member, the second flange having a first long end and a second long end opposite the first long end, a first short end and a second short end opposite the first short end, the first long end of the second flange being connected to the web member by a second U-shaped pocket for wrapping about a portion of both faces of the second long

end of the web member, the second long end solely extending away from the web member, the second long end of the first flange and the second long end of the second flange each extending in the same direction, the first form and the second form being formed from a second material, so that the first material and the second material are dissimilar from one another, thereby increasing the thermal resistance, and reducing interior condensation and ghosting.

6. The track support member of claim 5, wherein a portion of the first flange abuts against the first long end of the web member, and a portion of the second flange abuts against the second long end of the web member.

7. The track support member of claim 5, wherein the first form and the second form are formed from metal, and the web member is formed from a material selected from the group consisting of wood, plastic, cement or composite.

8. The track support member of claim 5, wherein the first flange and the second flange each include: parallel rows of V-shaped ridges.

9. The stud support member of claim 5, wherein the first flange and the second flange each include: parallel rows of semi-circular rounded ridges.

10. A building member, comprising:

a substantially elongated web member having a first long end, a second long end opposite the first long end, a first short end and a second short end opposite the first short end, a first face and a second face opposite the first face, the web member formed from a first material;

a first form consisting of a first longitudinal flange adjacent to the first long end of the web member, the first flange having a first long end and a second long end opposite the first long end, a first short end and a second short end opposite the first short end, the first long end of the first flange being attached by a U-shaped pocket to a portion of both faces of the first long end of the web member, the second long end of the first flange solely extending away from the web member; and

a second form consisting of a second longitudinal flange adjacent to the second long end of the web member, the second flange having a first long end and a second long end opposite the first long end, a first short end and a second short end opposite the first short end, the first long end of the second flange being attached to by a U-shaped pocket to a portion of both faces of the second long end of the web member, the second end of the second flange solely extending away from the web member, the second long end of the first flange and the second long end of the second flange each extending in the same direction.

11. The building member of claim 10, wherein a portion of the first flange abuts against the first long end of the web member, and a portion of the second flange abuts against the second long end of the web member.

12. The building member of claim 10, wherein the first form and the second form are formed from metal, and the web member is formed from a material selected from the group consisting of wood, plastic, cement or composite.

13. The building member of claim 10, wherein the first flange and the second flange each include: parallel rows of V-shaped ridges.

14. The building member of claim 10, wherein the first flange and the second flange each include: parallel rows of semi-circular rounded ridges.

UNITED STATES PATENT AND TRADEMARK OFFICE
CERTIFICATE OF CORRECTION

PATENT NO. : 6,516,584 B1
DATED : February 11, 2003
INVENTOR(S) : Armin Rudd

Page 1 of 1

It is certified that error appears in the above-identified patent and that said Letters Patent is hereby corrected as shown below:

Title page.

Insert:

-- [74] *Attorney, Agent, or Firm*, Brian S. Steinberger
Law Offices of Brian S. Steinberger, P.A. --

Signed and Sealed this

Seventeenth Day of June, 2003

A handwritten signature in black ink, appearing to read "James E. Rogan", with a thick horizontal line underneath.

JAMES E. ROGAN
Director of the United States Patent and Trademark Office

UNITED STATES PATENT AND TRADEMARK OFFICE
CERTIFICATE OF CORRECTION

PATENT NO. : 6,516,584 B1
DATED : February 11, 2003
INVENTOR(S) : Armin Rudd

Page 1 of 1

It is certified that error appears in the above-identified patent and that said Letters Patent is hereby corrected as shown below:

Title page.

Insert Item -- [73] Assignee: **University of Central Florida**
Orlando, Florida --

Insert Item -- [74] *Attorney, Agent or Firm*—Brian S. Steinberger, Law Offices
of Brian S. Steinberger, P.A. --

Signed and Sealed this

Tenth Day of February, 2004

A handwritten signature in black ink that reads "Jon W. Dudas". The signature is written in a cursive style with a large, looped initial "J".

JON W. DUDAS
Acting Director of the United States Patent and Trademark Office